

HEAVY DUTY

PACKAGING EQUIPMENTS



Easy Maintenance

Waxler Packaging Equipment is suitable for your business needs, with reliable machines, best performance, easy maintenance and high profits.



www.indotara.co.id



Excellent Performance



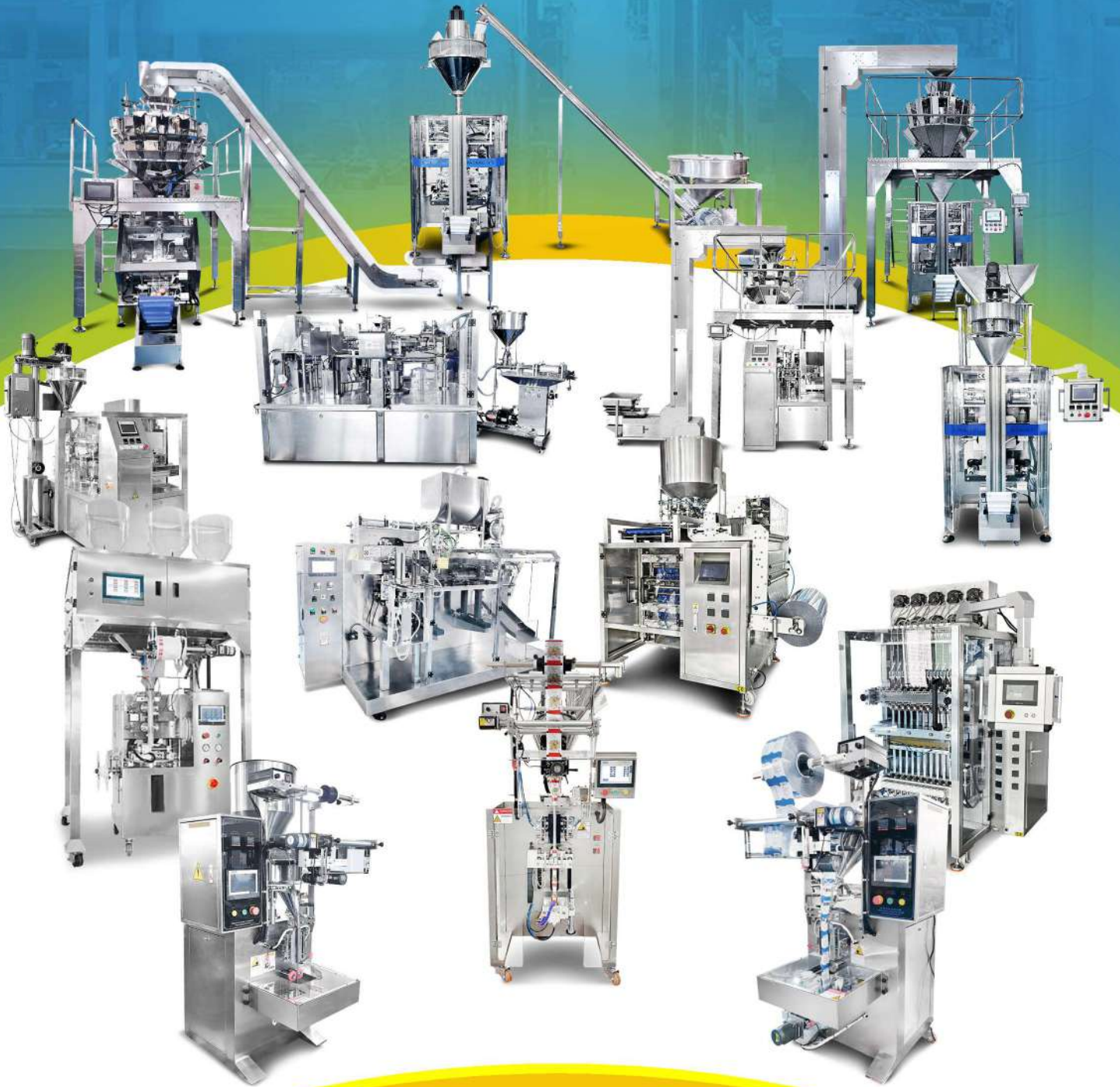
WAXLER

 *Beyond Packaging Innovation*

CONTENT

● HEAVY DUTY PACKAGING MACHINE	01
● AUTOMATIC CONTINUOUS BAND SEALER	42
● CARTON SEALER PACKAGING MACHINE	52
● CODING MACHINE & FOLDING MACHINE	56
● SHRINK PACKAGING MACHINE	57
● STRAPPING PACKAGING MACHINE	60
● VACUUM PACKAGING MACHINE	64
● MATERIAL EQUIPMENT SERIES	74

HEAVY DUTY PACKAGING MACHINE



Waxler Packaging Equipment
is suitable for your business needs,
with reliable machines, best performance,
easy maintenance and high profits.

WFC-2.0T WITH COMBINATION WEIGHER (WF-520)

Suitable for irregular lumpy and granular materials, such as candy, puffed food, small biscuits, fried dried fruit, sugar, frozen food and hardware and plastic products, etc.



Excellent
Performance



High
Profit



Easy
Maintenance



Packages Sample



Application

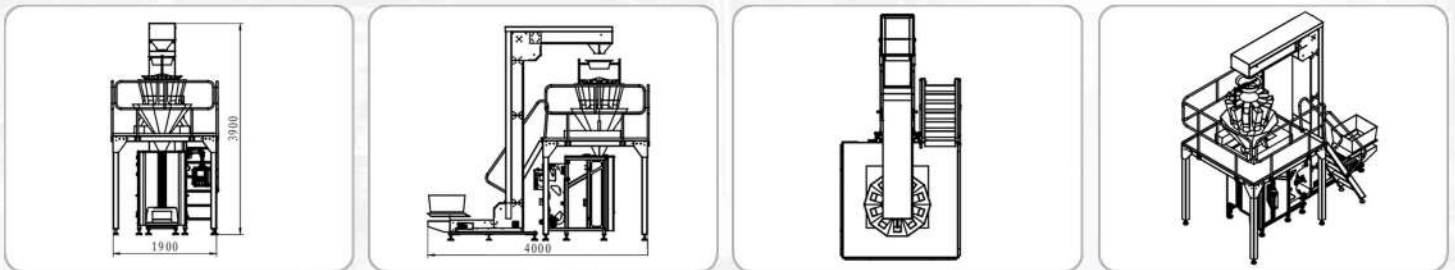


WFC-2.0T WITH COMBINATION WEIGHER (WF-520)

Features

- The equipment frame is made of 304 stainless steel, which meets the food QS and pharmaceutical GMP hygiene standards;
- Equipped with safety protection, in line with corporate safety management requirements;
- The independent temperature control system is adopted, and the temperature control is accurate, to ensure that the sealing is beautiful and smooth;
- Servo motor pull film. PLC control, touch screen control, automatic control capability of the whole machine, high reliability and intelligence, high speed and high efficiency;
- Double-belt film pulling, film pulling system and color code control system can be automatically adjusted through the touch screen, and the operation of correcting deviation of sealing and incision is simple;
- The touch screen can store the packaging process parameters of a variety of different products, which can be used at any time without adjustment when changing products;
- The machine is equipped with a fault display system, which can help eliminate faults in time and reduce the requirements for manual operation;
- A set of equipment completes the entire packaging process from material conveying, weighing, printing, bag making, filling, sealing, cutting, and finished product output;
- It can be made into pillow bags, gusset bags, hanging bags, and string bags according to customer needs;

Product Layout Diagram



Product Detail



Technical Specification

Model	WFC-2.0T (WF-520)	WFC-3.0T (WF-720)
Max width of roll fill	≤520	≤720
Bag Size	Bag width : W 80-250mm	Bag width : W 80-350mm
	Bag length : 100-400mm	Bag length : 100-450mm
Packing Speed	15-45/bags/min	5-30/bags/min
Packing Material	OPP/CPP, OPP/PE, PET/PE, PE	OPP/CPP, OPP/PE, PET/PE, PE
Bag Type	Pillow bag/Gusset bag	
Consumption	6-8KGF/CM2, 0.15 m ³ /min	6-8KGF/CM2, 0.15 m ³ /min
Power & Voltage	AC380, Three phase, 50-60Hz, 5.25Kw	AC380, Three phase, 50-60Hz, 5.75Kw
Total Weight	2010Kg	2210Kg
Dimension	3900x1900x3800mm	3980x2250x4200mm

WFP-2.0T AUTOMATIC POWDER PACKING MACHINE (WF-520)

Suitable for irregular lumpy and granular materials, such as candy, puffed food, small biscuits, fried dried fruit, sugar, frozen food and hardware and plastic products, etc.



Easy
Maintenance



High
Profit



Excellent
Performance

Packages Sample



Application



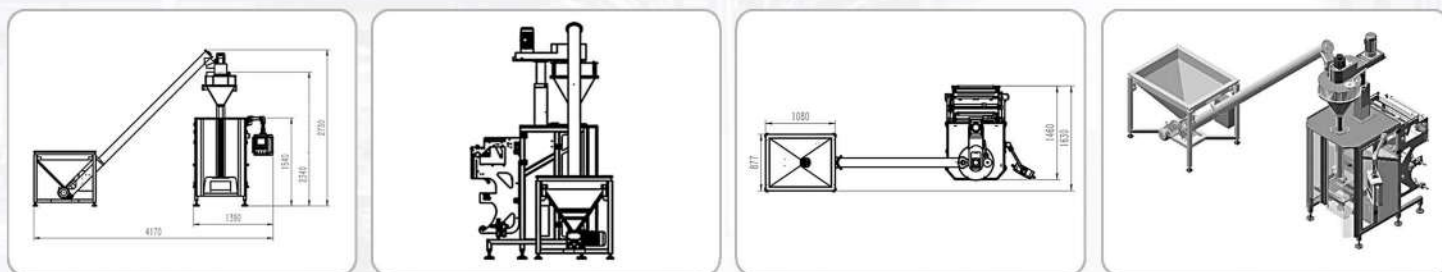
Features

- The frame of machine is made of 304 stainless steel, which meets the hygienic standard of food QS and medicine GMP;
- Equipped with safety protection, meet the requirement of enterprise safety management;
- Adopt independent temperature control system to keep accurate temperature, ensure sealing beautiful and smooth;
- Servo motor pull film, PLC control, touch screen control, ability of automatic control, high reliability and intelligence, high speed and high efficiency;
- Adopt double belts for pull film, pull film system and photo cell control system can be automatically adjusted through the touch screen, which is simple to rectify the seal and to rectify the gap;
- The touch screen can store the packaging process parameters of many different products, and can be used at any time when changing products;
- Mechanical fault display system can help troubleshooting and reduce manual operation;
- The whole equipment including material transportation, measurement, printing, bag making, filling, sealing, cutting, and product conveying;
- Machine can make pillow bags, gusseted bags, hang holes bags and string bags;
- The whole machine adopts closed mechanism to effectively prevent dust from entering the machine.

Features

- The frame of machine is made of 304 stainless steel, which meets the hygienic standard of food QS and medicine GMP;
- Equipped with safety protection, meet the requirement of enterprise safety management;
- Adopt independent temperature control system to keep accurate temperature, ensure sealing beautiful and smooth;
- Servo motor pull film, PLC control, touch screen control, ability of automatic control, high reliability and intelligence, high speed and high efficiency;
- Adopt double belts for pull film, pull film system and photo cell control system can be automatically adjusted through the touch screen, which is simple to rectify the seal and to rectify the gap;
- The touch screen can store the packaging process parameters of many different products, and can be used at any time when changing products;
- Mechanical fault display system can help troubleshooting and reduce manual operation;
- The whole equipment including material transportation, measurement, printing, bag making, filling, sealing, cutting, and product conveying;
- Machine can make pillow bags, gusseted bags, hang holes bags and string bags;
- The whole machine adopts closed mechanism to effectively prevent dust from entering the machine.

Product Layout Diagram



Product Detail



Technical Specification

Model	WFP-2.0T (WF-520)	WFP-3.0T (WF-720)
Max width of roll fill	≤520	≤720
Bag Size	Bag width : W 100-250mm	Bag width : W 150-350mm
	Bag length : 100-400mm	Bag length : 100-480mm
Packing Speed	14-35/bags/min	5-30/bags/min
Packing Material	OPP/CPP, OPP/PE, PET/PE, PE	OPP/CPP, OPP/PE, PET/PE, PE
Bag Type	Pillow bag/Gusset bag	
Consumption	6-8KGF/CM ² , 0.15 m ³ /min	6-8KGF/CM ² , 0.15 m ³ /min
Power & Voltage	AC380, Three phase, 50-60Hz, 6.0Kw	AC380, Three phase, 50-60Hz, 6.5Kw
Total Weight	1250Kg	1450Kg
Dimension	4105x2579x2855mm	4305x2685x3155mm

WFCD2.0T AUTOMATIC VOLUMETRIC CUP DOSING SYSTEM (WF-520)

Apply for regular granular packing, such as sugar, soybean, rice, corn, sea salt, edible salt and plastic products, etc.



Excellent
Performance



High
Profit



Easy
Maintenance



Packages Sample



Application

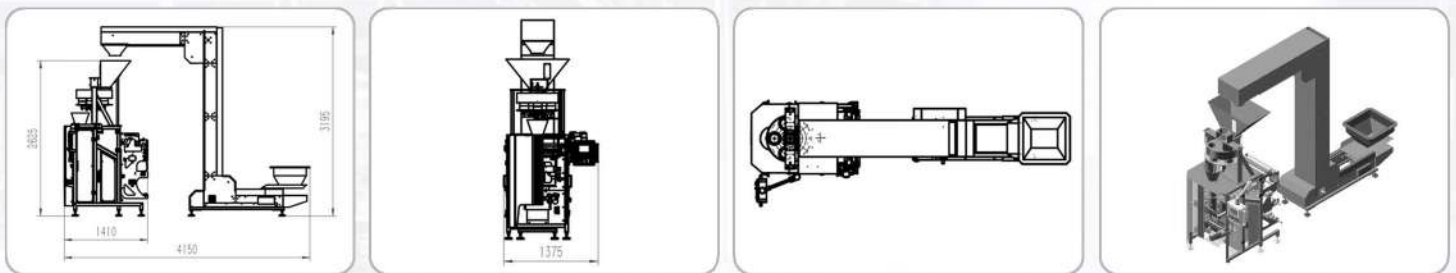


WFCD2.0T AUTOMATIC VOLUMETRIC CUP DOSING SYSTEM (WF-520)

Features

- The frame of machine is made of 304 stainless steel, which meets the hygienic standard of food QS and medicine GMP;
- Equipped with safety protection, meet the requirement of enterprise safety management;
- Adopt independent temperature control system to keep accurate temperature, ensure sealing beautiful and smooth;
- Servo motor pull film, PLC control, touch screen control, ability of automatic control, high reliability and intelligence, high speed and high efficiency;
- Adopt double belts for pull film, pull film system and photo cell control system can be automatically adjusted through the touch screen, which is simple to rectify the seal and to rectify the gap;
- The touch screen can store the packaging process parameters of many different products, and can be used at any time when changing products;
- Mechanical fault display system can help troubleshooting and reduce manual operation;
- The whole equipment including material transportation, measurement, printing, bag making, filling, sealing, cutting, and product conveying;
- Machine can make pillow bags, gusseted bags, hang holes bags and string bags;

Product Layout Diagram



Product Detail



Technical Specification

Model	WFCD2.0T(WF-520)
Max width of roll fill	≤520
Bag Size	Bag Width : W 100-250mm
	Bag Length : L 100-400mm
Packing Speed	5-55/bags/min
Packing Material	OPP/CPP, OPP/PE, PET/PE, PE
Bag Type	Pillo Bag/Gusset bag
Consumption	6-8kgf/cm², 0.15 m³/min
Power & Voltage	AC380V, Three Phase, 50-60Hz, 4.25KW
Total Weight	800Kg
Dimension	3883x1215x3237mm

WFC2-2.0T WITH COMBINATION WEIGHER (WF-520)

Suitable for irregular lumpy and granular materials, such as candy, puffed food, small biscuits, fried dried fruit, sugar, frozen food and hardware and plastic products, etc.



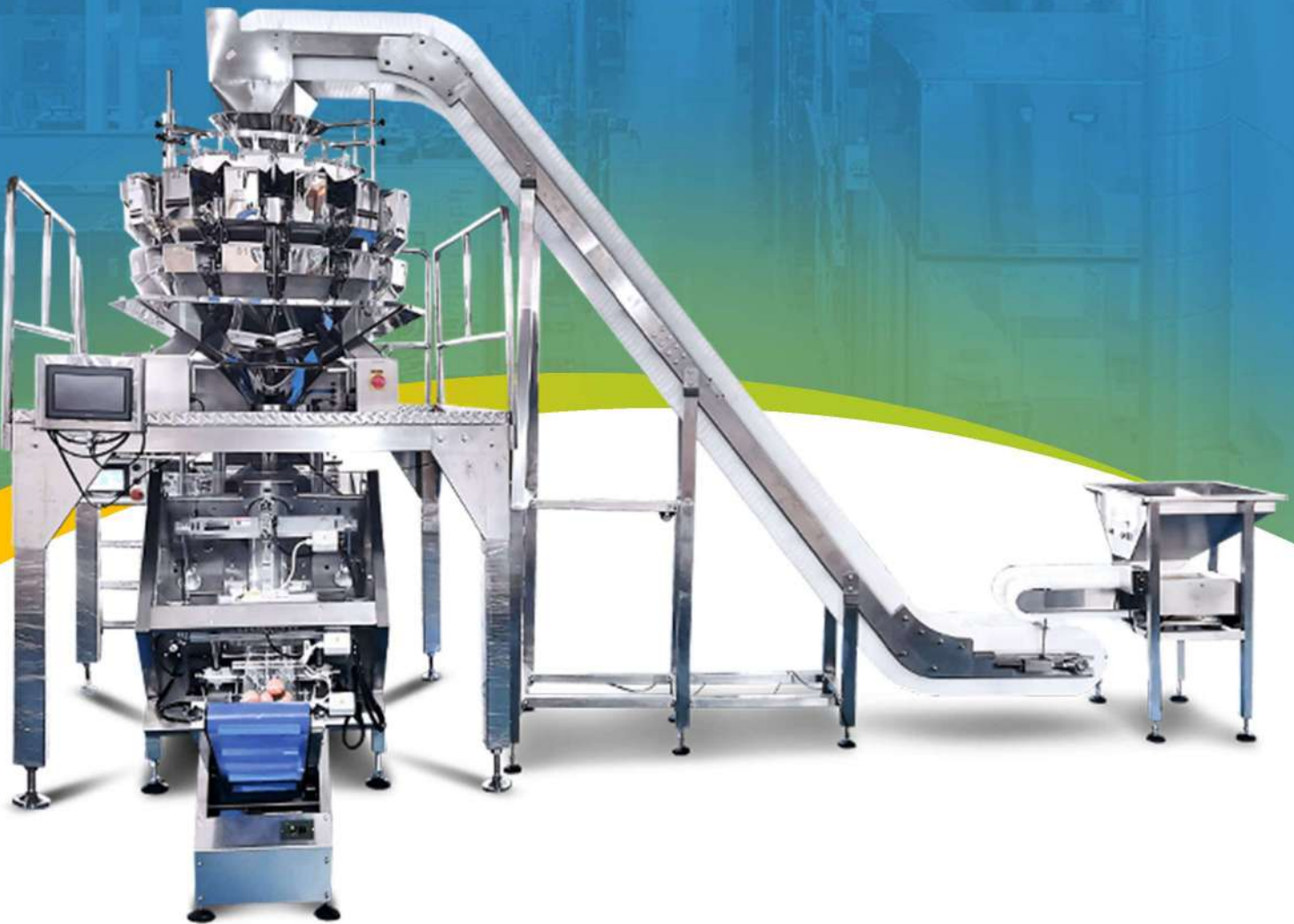
Easy
Maintenance



High
Profit



Excellent
Performance



Packages Sample



Application

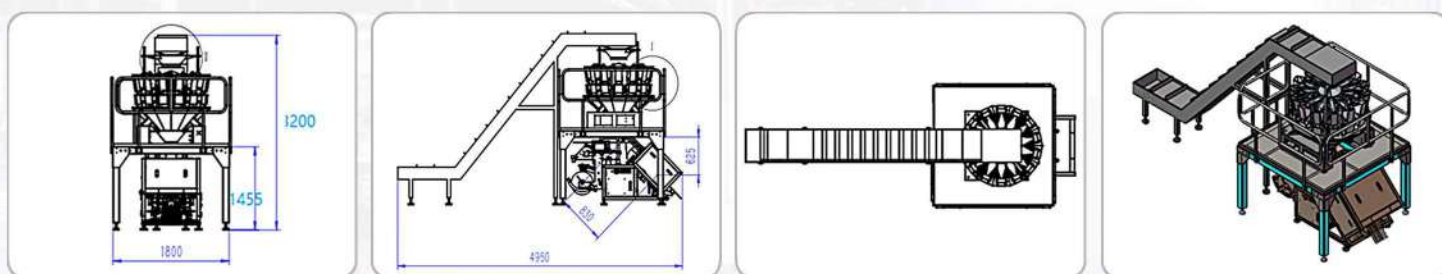


WFC2-2.0T WITH COMBINATION WEIGHER (WF-520)

Features

- The equipment frame is made of 304 stainless steel, which meets the food QS and pharmaceutical GMP hygiene standards;
- Equipped with safety protection, in line with corporate safety management requirements;
- The independent temperature control system is adopted, and the temperature control is accurate, to ensure that the sealing is beautiful and smooth;
- Servo motor pull film. PLC control, touch screen control, automatic control capability of the whole machine, high reliability and intelligence, high speed and high efficiency;
- Double-belt film pulling, film pulling system and color code control system can be automatically adjusted through the touch screen, and the operation of correcting deviation of sealing and incision is simple;
- The touch screen can store the packaging process parameters of a variety of different products, which can be used at any time without adjustment when changing products;
- The machine is equipped with a fault display system, which can help eliminate faults in time and reduce the requirements for manual operation;
- A set of equipment completes the entire packaging process from material conveying, weighing, printing, bag making, filling, sealing, cutting, and finished product output;
- It can be made into pillow bags, gusset bags, hanging bags, and string bags according to customer needs;

Product Layout Diagram



Product Detail



Technical Specification

Model	WFC-2.0T (WF-520)	WFC-3.0T (WF-720)
Max width of roll fill	≤520	≤720
Bag Size	Bag width : W 80-250mm	Bag width : W 80-350mm
	Bag length : 100-400mm	Bag length : 100-450mm
Packing Speed	15-45/bags/min	5-30/bags/min
Packing Material	OPP/CPP, OPP/PE, PET/PE, PE	OPP/CPP, OPP/PE, PET/PE, PE
Bag Type	Pillow bag/Gusset bag	
Consumption	6-8KGF/CM2, 0.15 m ³ /min	6-8KGF/CM2, 0.15 m ³ /min
Power & Voltage	AC380, Three phase, 50-60Hz, 5.25Kw	AC380, Three phase, 50-60Hz, 5.25Kw
Total Weight	2010Kg	2210Kg
Dimension	4950x1800x3200mm	4950x2250x4200mm

WDCF-200/WDCF-250 DOYPACK PACKING MACHINE WITH COMBINATION WEIGHER

Application for candy nuts, raisins, peanuts, melon seeds, nuts, chocolate, biscuits, seasonings, and other granular powder, liquid products.



Excellent
Performance



High
Profit



Easy
Maintenance



Packages Sample



Application

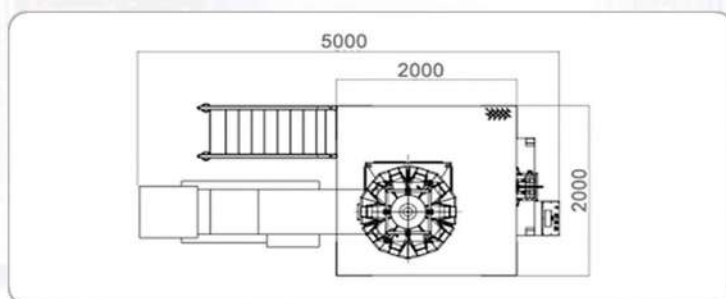
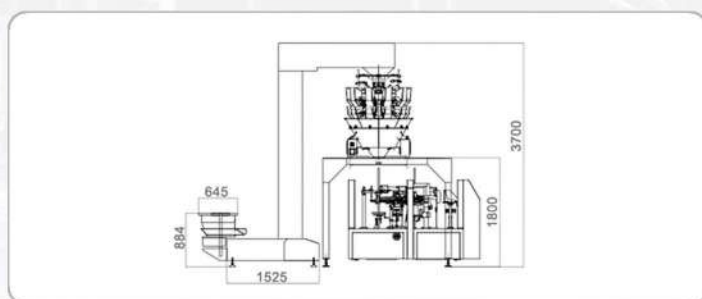


WDCF-200/WDCF-250 DOYPACK PACKING MACHINE WITH COMBINATION WEIGHER

Features

- The equipment rack is made of 304 stainless steel, which conforms to the health standards of food QS and GMP;
- The machine adopts the advanced German Siemens PLC control, and the touch screen human-machine interface is more convenient to operate.
- The working speed of the machine can be adjusted by the variable frequency speed regulating device at will within the specified range.
- Overload protection, safety device, automatic alarm prompt in case of abnormal working air pressure or heating pipe failure.
- It can intelligently detect whether the bag is opened and whether the bag is complete. If the bag is not properly filled, it will not be heat sealed or wasted. It can save considerable cost for users.
- Advantages of the machine: it can automatically adjust the width of the bag at the same time by mechanical swinging 8 stations, which is suitable for bags of different width.
- Some components are equipped with imported tolerance plastic bearings, which do not need oil to reduce food pollution.
- Using the pre-made bag, the design is perfect, the sealing effect is good, and the finished product grade is high. • It can be used to pack prefabricated bags and paper bags made of multi-layer composite film, single-layer PE, PP and other materials, with a wide range of packaging.
- Adopt vacuum filter, clean and pollution-free.
- Safety performance: when the door of the machine is opened, it will stop automatically to prevent being injured by the machine.

Product Layout Diagram



Product Detail



Technical Specification

Model	WDCF-200	WDCF-250
Equipment Material	SUS304	SUS304
Bag Sizes	L : 120mm ~ 33mm W : 80mm ~ 200mm	L : 120mm ~ 250mm W : 120mm ~ 350mm
Measurement Method	10 Heads Weigher (1.6L Hopper)	10 Heads Weigher (1.6L Hopper)
Measuring Range	100-1000g	100-1000g
Packing Speed	15-40/bag/min	20-40/bag/min
Packing Material	3-side, four edge-sealing bag, self-reliance bag, handbag, Zipper bag, Compound Bag, Etc	
Equipment Size	5000x2000x3700mm	5000x2000x3700mm
Electrical Source and Power	380V,50-60Hz, 3Phases, 4.75Kw	380V,50-60Hz, 3Phases, 4.75Kw
Total Weight	1800Kg	1800Kg
Compressed Air Cost	6-8kgf/cm ² , 0.15 m ³ /min	6-8kgf/cm ² , 0.15 m ³ /min

WPDF-200/WPDF-250 POWDER DOYPACK PACKING MACHINE



Easy
Maintenance



High
Profit



Excellent
Performance



PACKING SPEED

20-40
/bag/min

Application

Suitable for powder packing
such as flour, intestinal
powder, coffee powder, milk
powder, milk tea powder,
seasoning, and building
materials powder products,
etc.

Packages Sample

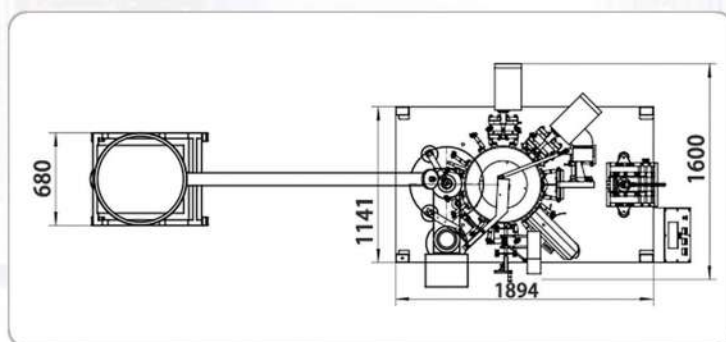
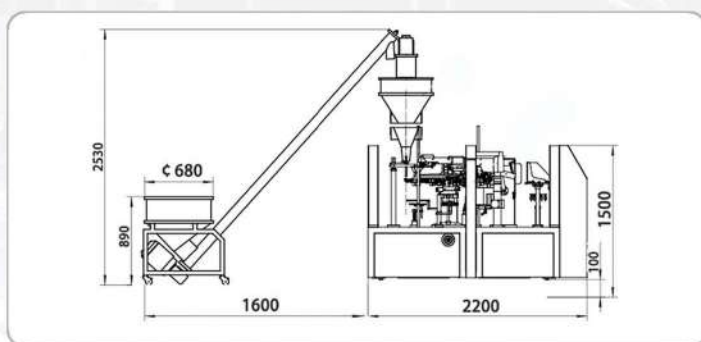


WPDF-200/WPDF-250 POWDER DOYPACK PACKING MACHINE

Features

- The equipment rack is made of 304 stainless steel, which conforms to the health standards of food QS and GMP;
- The machine adopts the advanced German Siemens PLC control, and the touch screen human-machine interface is more convenient to operate.
- The working speed of the machine can be adjusted by the variable frequency speed regulating device at will within the specified range.
- Overload protection, safety device, automatic alarm prompt in case of abnormal working air pressure or heating pipe failure.
- It can intelligently detect whether the bag is opened and whether the bag is complete. If the bag is not properly filled, it will not be heat sealed or wasted. It can save considerable cost for users.
- Advantages of the machine: it can automatically adjust the width of the bag at the same time by mechanical swinging 8 stations, which is suitable for bags of different width.
- Some components are equipped with imported tolerance plastic bearings, which do not need oil to reduce food pollution.
- Using the pre-made bag, the design is perfect, the sealing effect is good, and the finished product grade is high.
- It can be used to pack prefabricated bags and paper bags made of multi-layer composite film, single-layer PE, PP and other materials, with a wide range of packaging.
- Adopt vacuum filter, clean and pollution-free.
- Safety performance: when the door of the machine is opened, it will stop automatically to prevent being injured by the machine.

Product Layout Diagram



Product Detail



Technical Specification

Model	WDCF-200	WDCF-250
Equipment Material	SUS304	SUS304
Bag Sizes	L : 80mm ~ 300mm W : 80mm ~ 200mm	L : 120mm ~ 250mm W : 120mm ~ 350mm
Measurement Method	Auger Filter	10 Heads Weigher (1.6L Hopper)
Measuring Range	200-1000g	100-1000g
Packing Speed	20-40/bag/min	20-40/bag/min
Packing Material	3-side, four edge-sealing bag, self-reliance bag, handbag, Zipper bag, Compound Bag, Etc.	
Equipment Size	3665x1650x1650mm	5000x2000x3700mm
Electrical Source and Power	380V,50-60Hz, 3Phases, 4.75Kw	380V,50-60Hz, 3Phases, 4.75Kw
Total Weight	1200Kg	1300Kg
Compressed Air Cost	6-8kgf/cm ² , 0.15 m ³ /min	6-8kgf/cm ² , 0.15 m ³ /min

WLF-200/WLF-250 LIQUID PACKING MACHINE

It is suitable for measuring packaging, such as tomato sauce, edible oil, honey, laundry detergent, chili sauce, and other liquid products.



Packages Sample



Application



Product Detail



PACKING SPEED

20-40
/bag/min



**Easy
Maintenance**



**High
Profit**



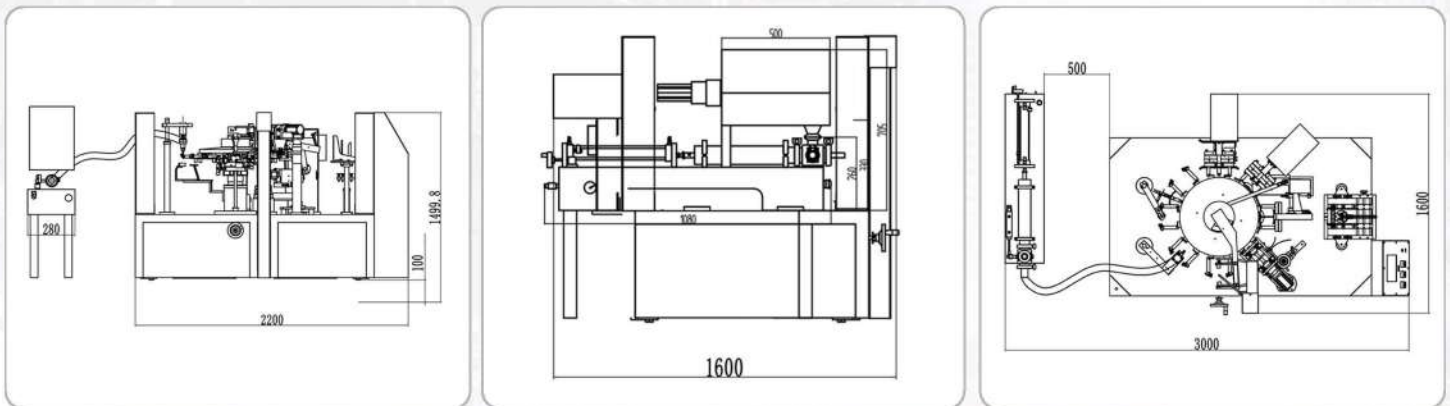
**Excellent
Performance**

WLF-200/WLF-250 LIQUID PACKING MACHINE

Features

- The equipment frame is made of 304 stainless steel, which meets the food QS and pharmaceutical GMP hygiene standards;
- Equipped with safety protection, in line with corporate safety management requirements;
- The independent temperature control system is adopted, and the temperature control is accurate, to ensure that the sealing is beautiful and smooth;
- Servo motor pull film, PLC control, touch screen control, automatic control capability of the whole machine, high reliability and intelligence, high speed and high efficiency;
- Double-belt film pulling, film pulling system and color code control system can be automatically adjusted through the touch screen, and the operation of correcting deviation of sealing and incision is simple;
- The touch screen can store the packaging process parameters of a variety of different products, which can be used at any time without adjustment when changing products;
- The machine is equipped with a fault display system, which can help eliminate faults in time and reduce the requirements for manual operation;
- A set of equipment completes the entire packaging process from material conveying, weighing, printing, bag making, filling, sealing, cutting, and finished product output;
- It can be made into pillow bags, gusset bags, hanging bags, and string bags according to customer needs;

Product Layout Diagram



Technical Specification

Model	WLF-200	WLF-250
Equipment Material	SUS304	SUS304
Bag Sizes	L : 80mm ~ 300mm W : 80mm ~ 200mm	L : 120mm ~ 250mm W : 120mm ~ 350mm
Measurement Method	Liquid Pump	Liquid Pump
Measuring Range	30-1000g	50-1000g
Packing Speed	15-40/bag/min	20-40/bag/min
Packing Material	3-side, four edge-sealing bag, self-reliance bag, handbag, Zipper bag, Compound Bag, Etc.	
Equipment Size	3000x1600x1500mm	3000x1600x1500mm
Electrical Source and Power	380V,50-60Hz, 3Phases, 3.6Kw	380V,50-60Hz, 3Phases, 4.75Kw
Total Weight	1300Kg	1300Kg
Compressed Air Cost	6-8kgf/cm ² , 0.15 m ³ /min	6-8kgf/cm ² , 0.15 m ³ /min

WLHL-520 HORIZONTAL LIQUID PACKING MACHINE

It is suitable for measuring packaging, such as tomato sauce, edible oil, honey, laundry detergent, chili sauce, and other liquid products.



Easy Maintenance



High Profit



Excellent Performance



Packages Sample



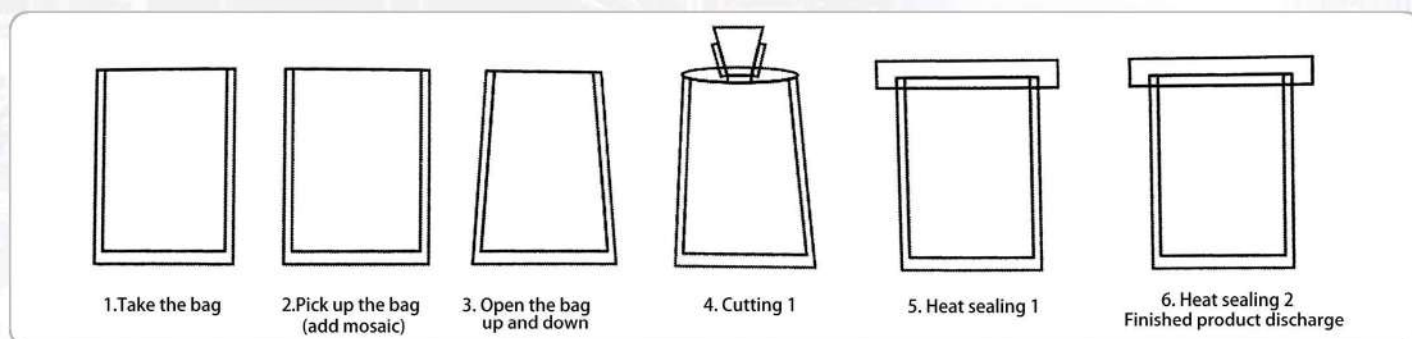
Application



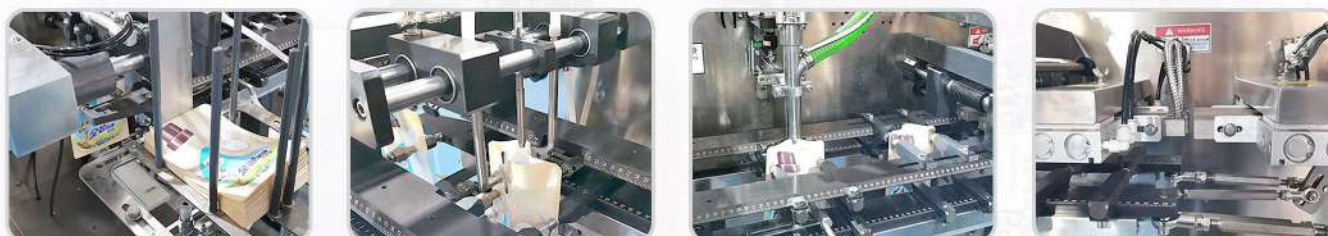
Features

- The equipment rack is made of 304 stainless steel, which conforms to the health standards of food QS and GMP;
- The machine adopts the advanced German Siemens PLC control, and the touch screen human-machine interface is more convenient to operate.
- The working speed of the machine can be adjusted by the variable frequency speed regulating device at will within the specified range.
- Overload protection. safety device. automatic alarm prompt in case of abnormal working air pressure or heating pipe failure.
- It can intelligently detect whether the bag is opened and whether the bag is complete. If the bag is not properly filled, it will not be heat sealed or wasted. It can save considerable cost for users.
- Advantages of the machine: it can automatically adjust the width of the bag at the same time by mechanical swinging 8 stations, which is suitable for bags of different width.
- Some components are equipped with imported tolerance plastic bearings, which do not need oil to reduce food pollution.
- Using the pre-made bag, the design is perfect, the sealing effect is good, and the finished product grade is high.
- It can be used to pack prefabricated bags and paper bags made of multi-layer composite film, single-layer PE, PP and other materials, with a wide range of packaging.
- Adopt vacuum filter, clean and pollution-free.
- Safety performance: when the door of the machine is opened, it will stop automatically to prevent being injured by the machine.

Product Layout Diagram



Product Detail



Technical Specification

Model	WLHL-520 Horizontal Liquid Packing Machine
Max Width Of Roll Film	≤ 520mm
Bag Sizes	Bag Width : W 110-230mm
	Bag Length : L 90-160
Packing Speed	5-50/bags/min
Packing Material	OPP/OPP, OPP/PE, PET/PE, PE
Bag Type	Four Sides Sealing Bag/Three sides sealing bag/paper bag/paper bag/stand up pouch
Consumption	6-8kg/cm² 0.15m³/min
Power & Voltage	AC380V, Three Phase, 50-60Hz, 2.0kW
Total Weight	800Kg
Dimension	1750x1285x1360mm

WI-520/WI-720 AUTOMATIC VERTICAL FORM FILL AND SEAL MACHINE



Excellent
Performance



High
Profit



Easy
Maintenance

Application

Suitable for irregular lumpy and granular materials, such as candy, puffed food, small biscuits, fried dried fruit, sugar, frozen food and hardware and plastic products, etc.

Packages Sample



Optional Measurement System

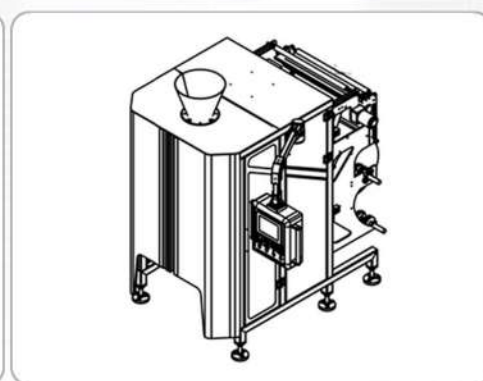
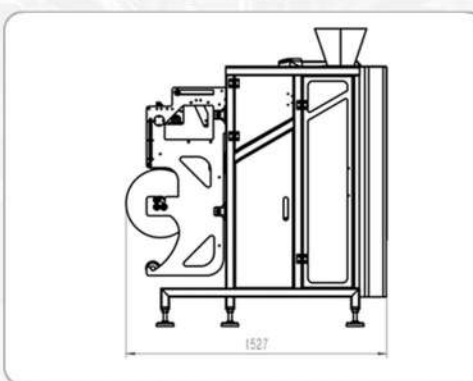
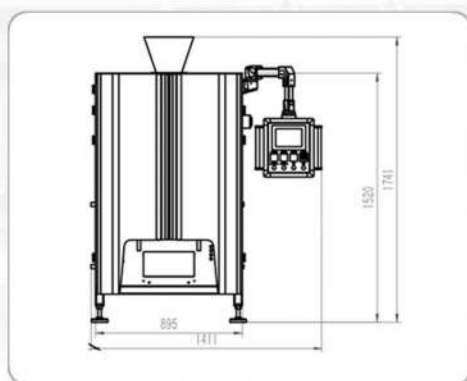
1. Multi-head weigher 2. Auger filler 3. Volumetric cup filler

WI-520/WI-720 AUTOMATIC VERTICAL FORM FILL AND SEAL MACHINE

Features

- The frame of machine is made of 304 stainless steel, which meets the hygienic standard of food QS and medicine GMP;
- Equipped with safety protection, meet the requirement of enterprise safety management;
- Adopt independent temperature control system to keep accurate temperature, ensure sealing beautiful and smooth;
- Servo motor pull film, PLC control, touch screen control, ability of automatic control, high reliability and intelligence, high speed and high efficiency;
- Adopt double belts for pull film, pull film system and photo cell control system can be automatically adjusted through the touch screen, which is simple to rectify the seal and to rectify the gap;
- The touch screen can store the packaging process parameters of many different products, and can be used at any time when changing products;
- Mechanical fault display system can help troubleshooting and reduce manual operation;
- The whole equipment including material transportation, measurement, printing, bag making, filling, sealing, cutting, and product conveying;
- Machine can make pillow bags, gusseted bags, hang holes bags and string bags.

Product Layout Diagram



Technical Specification

Model	WDCF-200	WDCF-250
Equipment Material	SUS304	SUS304
Bag Sizes	L : 80mm ~ 300mm W : 80mm ~ 200mm	L : 120mm ~ 250mm W : 120mm ~ 350mm
Measurement Method	Auger Filter	10 Heads Weigher (1.6L Hopper)
Measuring Range	200-1000g	100-1000g
Packing Speed	20-40/bag/min	20-40/bag/min
Packing Material	3-side, four edge-sealing bag, self-reliance bag, handbag, Zipper bag, Compound Bag, Etc.	
Equipment Size	3665x1650x1650mm	5000x2000x3700mm
Electrical Source and Power	380V,50-60Hz, 3Phases, 4.75Kw	380V,50-60Hz, 3Phases, 4.75Kw
Total Weight	1200Kg	1300Kg
Compressed Air Cost	6-8kgf/cm ² , 0.15 m ³ /min	6-8kgf/cm ² , 0.15 m ³ /min

WLF8-220 AUTOMATIC ROTARY PACKING MACHINE



Easy
Maintenance



High
Profit



Excellent
Performance



Application

Application for candy, nuts, raisins, peanuts, melon seeds, nuts, chocolate, biscuits, seasonings, and order granular, powder, liquid products.

Packages Sample



Optional Measurement System

1. Multi-head weigher
2. Auger filler
3. Volumetric cup filler
4. Liquid filling machine

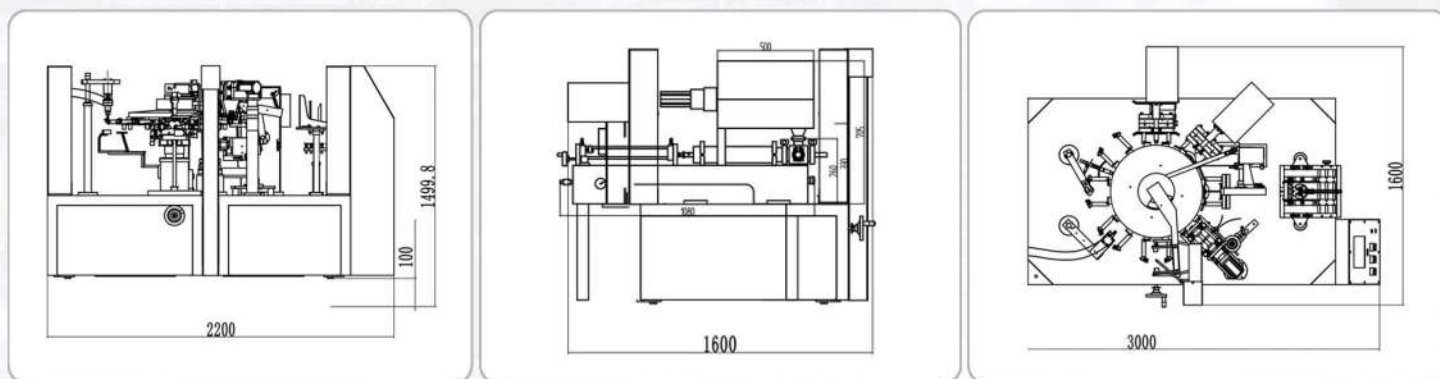


WLF8-220 AUTOMATIC ROTARY PACKING MACHINE

Features

- Stainless steel appearance, beautiful and high-grade, stable operation;
- Replace manual packaging, the production efficiency is increased, and the production cost is greatly reduced;
- Adopt PLC control, touch screen operation, a wide range of use, set the speed of operation according to production capacity requirements;
- Changing the size of the bags quickly and easily which can be adjusted by handle;
- Automatic detection function, the pouch can be recycle used if these situation happens: bags can not open or open the bag incomplete, no feeding, no heat sealing;
- It can be used in doypack bags, handbags, zipper bags, four-sided bags, three-sided bags, paper bags, M-shaped bags and other composite bags;
- It can automatically perform the functions of suction bag, date printing, opening bag, feeding, sealing and conveying products;
- Use oil free vacuum pump to avoid pollution of production environment.

Product Layout Diagram



Technical Specification

Model	WLF8-220
Box Size	L 150-350mm W 100-220mm
Packing Speed	5-45/bags/min
Measuring Range	20g-1000g
Packing Material	OPP/ CPP, OPP/PE, PET/PE, PE
Consumption	6-8Kgf/cm ² , 0.15 m ³ /min
Power & Voltage	380V, Three Phase, 50-60Hz, 3.75kw
Total Weigh	1200Kg
Dimension	2100x1700x1850mm

WLF-40C AUTOMATIC PLAY DOUGH CUP FILLING AND CAPPING MACHINE

It is used for cup playdough, flour dough, soap dough. ▶



Packages Sample



**Easy
Maintenance**



**High
Profit**



**Excellent
Performance**

Features

- Cup monochrome mud filling;
- The production process: automatically separate cups individually to the filling chain, automatically squeeze mud, automatically quantify, automatically cut mud, automatically install cups, and automatically seal. Cover film, automatic completion of production;
- Machine configuration, electronic control adopts Japanese MITSUBISHI PLC control, intelligent detection. With the gap precision segmentation precision station to complete sealing film, cutting film, cover;
- Machine material: the mixing hopper is made of 304 stainless steel, Teflon has no touch and so on, and other parts with out special strength are made of alloy. Aluminum is light beautiful and applicable;
- Machine appearance: the frame is made of powder spraying and baking, and it is durable. The machine panel is laid on stainless steel, rust proof.

Technical Specification

Model	WLF-40C
Filling Speed	35Cups/min
Filling Weight	30-150g
Diameter Of Mud	20-48mm
Length Of Mud	30-66mm
Consumption	0.6 m ³ /min
Power & Voltage	380V, Three Phase, 50-60Hz, 3.5Kw
Total Weight	1000Kg
Dimension	3500x1000x2200mm

WB-350XL AUTOMATIC PLAY DOUGH EXTRUDING AND PACKING MACHINE

It is used for cup playdough, modeling clay, fondant fruit paste, epoxy putty, etc.



Packages Sample



Easy
Maintenance



High
Profit



Excellent
Performance

Features

- Cup monochrome mud filling;
- The production process: automatically separate cups individually to the filling chain, automatically squeeze mud, automatically quantify, automatically cut mud, automatically install cups, and automatically seal. Cover film, automatic completion of production;
- Machine configuration, electronic control adopts Japanese MITSUBISHI PLC control, intelligent detection. With the gap precision segmentation precision station to complete sealing film, cutting film, cover;
- Machine material: the mixing hopper is made of 304 stainless steel, Teflon has no touch and so on, and other parts with out special strength are made of alloy. Aluminum is light beautiful and applicable;
- Machine appearance: the frame is made of powder spraying and baking, and it is durable. The machine panel is laid on stainless steel, rust proof.

Technical Specification

Model	WB-350XL
Film Width	≤ 350
Packing Material	Outer : ≤ 300mm / Inner : ≤ 75mm
Cutting Speed	Speed:20-200 Pcs/min
Product Length	40-200mm
Max Diameter	12-60mm
Power	380, three Phase, 50-60Hz, 4.5/7.5kw
Total Weight	1150Kg
Dimension	2350x950x1300mm

WAXLER MULTI TRACK SIDE SEALING BAG LIQUID PACKING MACHINE

Suit to liquid: shampoo, cream, oil, sauce, jelly, paste. ▶



**Excellent
Performance**



**High
Profit**



**Easy
Maintenance**



**Sealing Type
4 Side Sealing**

Packing Material

BOPP/Polyethylene, Aluminium/Polyethylene,
Paper/Polyethylene, Polyester/Aluminizer/Polyethylene,
Nylon/CPP and so on.

Packages Sample



CAPACITY

MAX.

40

cycle/min

WAXLER MULTI TRACK SIDE SEALING BAG LIQUID PACKING MACHINE

Features

- The whole machine is controlled by PLC program. The function parameters are set by man-machine interface touch screen. The main electrical components are famous brands at home and abroad. The control is stable and the operation is simple;
- It has functions of automatic filling, measuring, bag making, sealing, printing batch, counting, and finished product output;
- The horizontal seal adopts independent servo control, the structure is simple and reliable;
- The film running stable and has the function of cursor correction and compensation;
- The storage bin adopts continuous automatic vacuum feeding;
- The filling machine is detachable, easy to install, easy to clean and disinfect;
- 4 to 12 lanes can be packed according to the width of the bag;
- The machine can be connected with the mending line and automatic cartonning equipment to be a complete line.

Technical Specification

Model	WLH480Y	WLH720Y	WLH960Y
Track Number	4~6 (Track)	4~10 (Track)	4~12 (Track)
Filling Method	1. Piston Pump 2. Peristaltic Pump		
Capacity	Max.40 cycle/min		
Sachet Size	L : 45-120mm W : 35-60mm	L : 45-120mm W : 35-90mm	L : 45-120mm W : 35-120mm
Film Widht & Thickness	Max 480 mm 0.07-0.1mm	Max 720 mm 0.07-0.1mm	Max 960 mm 0.07-0.1mm
Sealing Type	4 sides sealing	4 sides sealing	4 sides sealing
Cutting Type	1.Straight Cutting 2. Zig Zag Cutting 3. Continous Cutting		
Air & Power	0.8 MPA 0.8m3/min 2.8 Kw	0.8 MPA 0.8m3/min 4.1 Kw	0.8 MPA 0.8m3/min 5.5 Kw
DIM & WT	950*1470*1750mm, 300Kg	1153*1654*1750mm, 400Kg	1415*1686*2130mm, 500Kg

WAXLER MULTI TRACK SIDE SEALING BAG GRANULE PACKING MACHINE

Suit for granular : Salt, sugar, washing powder, spice. 



**Excellent
Performance**



**High
Profit**



**Easy
Maintenance**



**Sealing Type
4 Side Sealing**

Packing Material

BOPP/Polyethylene, Aluminium/Polyethylene,
Paper/Polyethylene, Polyester/Aluminizer/Polyethylene,
Nylon/CPP and so on.

Packages Sample



CAPACITY

MAX.

40

cycle/min

WAXLER MULTI TRACK SIDE SEALING BAG GRANULE PACKING MACHINE

Features

- The whole machine is controlled by PLC program. The function parameters are set by man-machine interface touch screen. The main electrical components are famous brands at home and abroad. The control is stable and the operation is simple;
- It has functions of automatic filling, measuring, bag making, sealing, printing batch, counting, and finished product output;
- The horizontal seal adopts independent servo control, the structure is simple and reliable;
- The film running stable and has the function of cursor correction and compensation;
- The storage bin adopts continuous automatic vacuum feeding;
- The filling machine is detachable, easy to install, easy to clean and disinfect;
- 4 to 12 lanes can be packed according to the width of the bag;
- The machine can be connected with the mending line and automatic cartonning equipment to be a complete line.

Technical Specification

Model	WLH720Y	WGH720Y	WGH960Y
Track Number	4~6 (Track)	4~10 (Track)	4~12 (Track)
Filling Method	1. Piston Pump 2. Peristaltic Pump		
Capacity	Max.40 cycle/min		
Sachet Size	L : 45-120mm W : 35-60mm	L : 45-120mm W : 35-90mm	L : 45-120mm W : 35-120mm
Film Widht & Thickness	Max 480 mm 0.07-0.1mm	Max 720 mm 0.07-0.1mm	Max 960 mm 0.07-0.1mm
Sealing Type	4 sides sealing	4 sides sealing	4 sides sealing
Cutting Type	1. Straight Cutting 2. Zig Zag Cutting 3. Continous Cutting		
Air & Power	0.8 MPA 0.8m3/min 2.8 Kw	0.8 MPA 0.8m3/min 4.1 Kw	0.8 MPA 0.8m3/min 5.5 Kw
DIM & WT	950*1470*1750mm, 300Kg	1153*1654*1750mm, 400Kg	1415*1686*2130mm, 500Kg

WAXLER MULTI LANE BACK SEALING LIQUID PACKING MACHINE

Suit to liquid: Shampoo, Cream, Oil, Sauce, Jelly, 



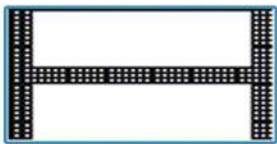
**Excellent
Performance**



**High
Profit**



**Easy
Maintenance**



**Sealing Type:
Back Sealing**

Packing Material

BOPP/Polyethylene, Aluminium/Polyethylene.
Paper/Polyethylene, Polyester/Aluminizer/Polyethylene,
Nylon/CPP and so on.

Packages Sample



CAPACITY

MAX.

35

cycle/min

WAXLER MULTI LANE BACK SEALING LIQUID PACKING MACHINE

Features

- The whole machine is controlled by PLC program. The function parameters are set by man-machine interface touch screen. The main electrical components are famous brands at home and abroad. The control is stable and the operation is simple;
- It has functions of automatic filling, measuring, bag making, sealing, printing batch, counting, and finished product output;
- The horizontal seal adopts independent servo control, the structure is simple and reliable;
- The film running stable and has the function of cursor correction and compensation;
- The storage bin adopts continuous automatic vacuum feeding;
- The filling machine is detachable, easy to install, easy to clean and disinfect;
- 4 to 12 lanes can be packed according to the width of the bag;
- The machine can be connected with the mending line and automatic cartonning equipment to be a complete line.

Technical Specification

Model	WLH280BF	WLH560BF
Track Number	4~6 (Lane)	4~10 (Lane)
Filling Method	Auger fillig by servo motor	
Capacity	Max 35 cycle/min	
Sachet Size	L : 50-180mm W : 17-30mm	L : 50-180mm W : 17-30mm
Film Widht & Thickness	Max 280 mm 0.07-0.10mm	Max 280 mm 0.07-0.10mm
Sealing Type	Back sealing/Stick Bag	Back sealing/Stick Bag
Cutting Type	1. Straight Cutting 2. Zig Zag Cutting 3. Continous Cutting	
Air & Power	0.8 MPA 0.8m3/min 3.5 Kw	0.8 MPA 0.8m3/min 5.5 Kw
DIM & WT	1385*918*2005mm, 350Kg	1685*1300*2005mm, 550Kg

WAXLER MULTI LANE BACK SEALING GRANULE PACKING MACHINE

Suit for granule : Salt, Sugar, Washing powder, 



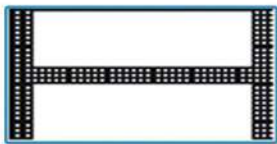
**Excellent
Performance**



**High
Profit**



**Easy
Maintenance**



**Sealing Type:
Back Sealing**

Packing Material

BOPP/Polyethylene, Aluminium/Polyethylene,
Paper/Polyethylene, Polyester/Aluminizer/Polyethylene,
Nylon/CPP and so on.

Packages Sample



CAPACITY

MAX.

35

cycle/min

WAXLER MULTI LANE BACK SEALING GRANULE PACKING MACHINE

Features

- The whole machine is controlled by PLC program. The function parameters are set by man-machine interface touch screen. The main electrical components are famous brands at home and abroad. The control is stable and the operation is simple;
- It has functions of automatic filling, measuring, bag making, sealing, printing batch, counting, and finished product output;
- The horizontal seal adopts independent servo control, the structure is simple and reliable;
- The film running stable and has the function of cursor correction and compensation;
- The storage bin adopts continuous automatic vacuum feeding;
- The filling machine is detachable, easy to install, easy to clean and disinfect;
- 4 to 12 lanes can be packed according to the width of the bag;
- The machine can be connected with the mending line and automatic cartonning equipment to be a complete line.

Technical Specification

Model	WGH280BF	WGH560BF
Track Number	4~6 (Lane)	4~10 (Lane)
Filling Method	Auger fillig by servo motor	
Capacity	Max 35 cycle/min	
Sachet Size	L : 50-180mm W : 17-30mm	L : 50-180mm W : 17-30mm
Film Widht & Thickness	Max 280 mm 0.07-0.10mm	Max 280 mm 0.07-0.10mm
Sealing Type	Back sealing/Stick Bag	Back sealing/Stick Bag
Cutting Type	1. Straight Cutting 2. Zig Zag Cutting 3. Continous Cutting	
Air & Power	0.8 MPA 0.8m3/min 3.5 Kw	0.8 MPA 0.8m3/min 5.5 Kw
DIM & WT	1385*918*2005mm, 350Kg	1685*1300*2005mm, 550Kg

WLTB-30 TEA BAG PACKING MACHINE WITH OUTER ENVELOPE

The machine is suitable for the non-returnable packaging of the inner and outer bag of small particulate materials such as: tea, herbal tea, health tea grass-root type and so on.



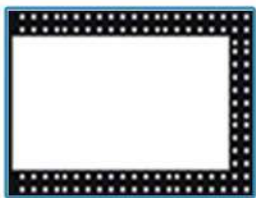
Excellent Performance



High Profit



Easy Maintenance



**Sealing Type:
Back Sealing**

Packing Material

BOPP/Polyethylene, Aluminium/Polyethylene,
Paper/Polyethylene, Polyester/Aluminizer/Polyethylene,
Nylon/CPP and so on.

Packages Sample



PACKING SPEED

**30-40
bags/min**

WLTB-30 TEA BAG PACKING MACHINE WITH OUTER ENVELOPE

Features

- Inner and outer bag's film drawing is controlled by the stepper motor, stable bag length and accurate positioning.
- The temperature controller is adjusted by PID to make the temperature control more accurate.
- Overall machine movement is controlled by PLC, with human-machine interface display, ensure health of products
- Packing material: filter paper, thread, composite membrane and labels.

Technical Specification

Model	WGH280BF
Measure Scope	3-10g (1.6~26)
Bag Size	Inner bag size (L) : 50-70 mm (W) : 45-80mm, outer bag size (L) : 80-120 mm (W) : 75-95mm
Packing Speed	30-40 bags/min
Dimension	1500x650x2250mm
Weight	550 Kg
Total Power	AC220V/ 50Hz/ 3.7Kw

WLTB-40E NYLON TRIANGLE TEA BAG PACKING MACHINE

The machine is suitable for the non-returnable packaging of the inner and outer bag of small particulate materials such as: tea, herbal tea, health tea grass-root type and so on.



Easy Maintenance



High Profit



Excellent Performance

Packages Sample

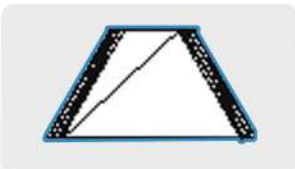


Features

- This unit can perform either flat bag or triangle tea bag.
- The machine can automatically finish load, measuring, bag making, sealing, cutting, counting, finished product conveyor, and other functions.
- Adopt the imported ultrasonic sealing, use the electronic scale metering to cutting-stock, perfect sealing, cutting-stock accuracy.
- Packing material: Nylon, Polyester net, non-woven fibres, corn fiber (Food grade).

Technical Specification

Measure Scope	1-7g
Bag Size	L : 60-80mm, W : 40-80mm
Packing Speed	40 bags/min
Dimension	1310x1470x2110 mm
Weight	450 Kg
Total Power	AC220V/ 50Hz/ 3.0Kw



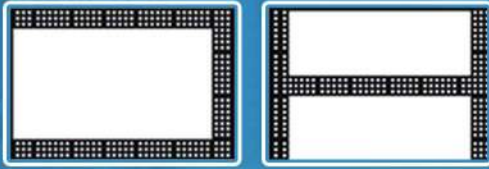
Sealing Type:
Three - Dimensional Sealing

Packing Material

BOPP/Polyethylene, Aluminium/Polyethylene. Paper/Polyethylene, Polyester/Aluminizer /Polyethylene, Nylon/PPP and so on.

WLFRC-220Y ROUND CORNER POWDER PACKING MACHINE

- The machine is suitable for the food, machine, chemical industry, cosmetics industry of powder of measurement packing.



Sealing Type:
Three sides seling/Back sealing

Packing Material

BOPP/Polyethylene, Aluminium/Polyethylene, Paper/Polyethylene, Polyester/Aluminizer/Polyethylene, Nylon/ CPP and so on.

Packages Sample



Features

- Automatic granule packing machine can finish the process like conveying bag, bag making, filling, weighing, sealing, cutting, counting, lot number, etc.
- Bilingual display screen control system, stainless steel cabinet. Set up the required data(include filling, weighing, bag size, etc) in the visuable settings, the control system automatic optimization match with all the program so that achieve the best packing speed precisely;
- Stepper Motor control, this system has the advantage of precise, needless to adjust the other parts, and acoup sur;
- It has color system controller, so that can get the complete trade mark design;
- Suitable for the complex film and tin foil and other packing material. Fine packaging performance, low noise, clear sealing texture and strong sealing performance.

Technical Specification

Measure Scope	1-20g (2.6-60)
Bag Size	L : 30-180mm W : 20-75mm
Packing Speed	30-60 bags/min
Dimension	850x1100x1900 mm
Weight	400Kg
Total Power	220V / 50Hz/ 1.4Kw



WLFRC-220F ROUND CORNER POWDER PACKING MACHINE

The machine is suitable for the food, medicine, chemical industry, cosmetics industry of liquids, sauce of measurement packing.



Easy
Maintenance



High
Profit



Excellent
Performance

Packages Sample

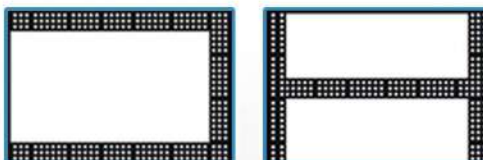


Features

- Automatic granule packing machine can finish the process like conveying bag, bag making, filling, weighing, sealing, cutting, counting, lot number, etc.
- Bilingual display screen control system, stainless steel cabinet. Set up the required data (include filling, weighing, bag size, etc) in the visible settings, the control system automatic optimization match with all the program so that achieve the best packing speed precisely;
- Stepper Motor control, this system has the advantage of precise, needless to adjust the other parts, and acoup sur;
- It has color system controller, so that can get the complete trade mark design;
- Suitable for the complex film and tin foil and other packing material. Fine packaging performance, low noise, clear sealing texture and strong sealing performance.

Technical Specification

Measure Scope	1-20g (2.6-60 ml)
Bag Size	L : 30-180mm W : 20-75mm
Packing Speed	30-60 bags/min
Dimension	850x1100x1900 mm
Weight	400Kg
Total Power	220V / 50Hz/ 1.4Kw



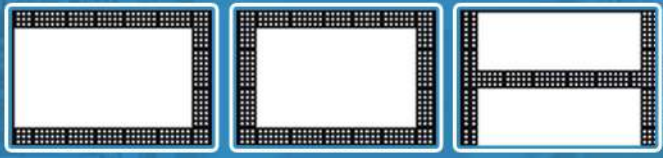
Sealing Type:
Three sides seling/Back sealing

Packing Material

BOPP/Polyethylene, Aluminium/Polyethylene.
Paper/Polyethylene, Polyester/Aluminizer/
Polyethylene, Nylon/CPP and so on.

WLG220L GRANULE PACKING MACHINE

The machine is suitable for the food, medicine, chemical industry, cosmetics industry of particles of measurement packing.



Sealing Type:
Three sides sealing/Four sides sealing/
Back sealing

Packing Material
BOPP/Polyethylene, Aluminium/Polyethylene.
Paper/Polyethylene, Polyester/Aluminizer/
Polyethylene, Nylon/CPP and so on.



- Features**
- Automatic granule packing machine can finish the process like conveying bag, bag making, filling, weighing, sealing, cutting, counting, lot number, etc.
 - Bilingual display screen control system, stainless steel cabinet. Set up the required data (Include filling, weighing, bag size, etc) in the visible settings, the control system automatic optimization match with all the program so that achieve the best packing speed precisely;
 - Stepper Motor control, this system has the advantage of precise, needless to adjust the other parts, and acoup sur;
 - It has color system controller,so that can get the complete trade mark design;
 - Suitable for the complex film and tin foil and other packing material. Fine packaging performance, low noise, clear sealing texture and strong sealing performance.

Technical Specification

Measure Scope	1-100g (3-100 ml)
Bag Size	L : 30-170mm W : 30-100mm
Packing Speed	30-60 bags/min
Dimension	900x1100x1590 mm
Weight	400Kg
Total Power	220V / 50Hz/ 1.4Kw





Easy Maintenance



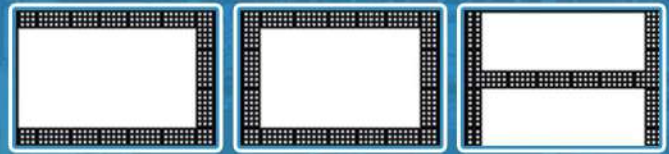
High Profit



Excellent Performance

WLSF220F SAUCE PACKING MACHINE

The machine is suitable for the food, medicine, chemical industry, cosmetics industry of particles of measurement packing.



Sealing Type:
Three sides sealing/Four sides sealing/
Back sealing

Packing Material
BOPP/Polyethylene, Aluminium/Polyethylene,
Paper/Polyethylene, Polyester/Aluminizer/
Polyethylene, Nylon/CPP and so on.

Packages Sample



Features

- Automatic granule packing machine can finish the process like conveying bag, bag making, filling, weighing, sealing, cutting, counting, lot number, etc.
- Bilingual display screen control system, stainless steel cabinet. Set up the required data(Include filling, weighing, bag size, etc) in the visible settings, the control system automatic optimization match with all the program so that achieve the best packing speed precisely;
- Stepper Motor control, this system has the advantage of precise, needless to adjust the other parts, and acou sur;
- It has color system controller,so that can get the complete trade mark design;
- Suitable for the complex film and tin foil and other packing material. Fine packaging performance, low noise, clear sealing texture and strong sealing performance.

Technical Specification

Measure Scope	1-100g (3-100 ml)
Bag Size	L : 30-170mm W : 30-130mm
Packing Speed	30-60 bags/min
Dimension	900x1100x1900 mm
Weight	400Kg
Total Power	220V / 50Hz/ 1.4Kw



**Easy
Maintenance**



**High
Profit**

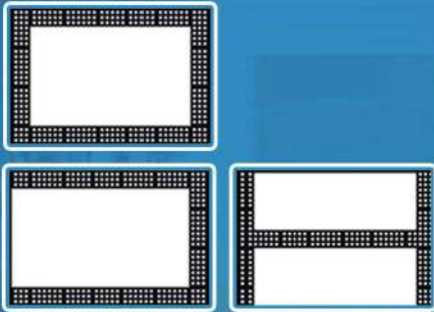


**Excellent
Performance**

WLF220Y LIQUID FILLING AND PACKING MACHINE

▶ The machine is suitable for the food, medicine, chemical industry, cosmetics industry of particles of measurement packing.

Sealing Type



Packing Material

BOPP/Polyethylene,
Aluminium/Polyethylene.
Paper/Polyethylene, Polyester/
Aluminizer/Polyethylene,
Nylon/CPP and so on.



Features

- Automatic granule packing machine can finish the process like conveying bag, bag making, filling, weighing, sealing, cutting, counting, lot number, etc.
- Bilingual display screen control system, stainless steel cabinet. Set up the required data (Include filling, weighing, bag size, etc) in the visible settings, the control system automatic optimization match with all the program so that achieve the best packing speed precisely;
- Stepper Motor control, this system has the advantage of precise, needless to adjust the other parts, and accoup sur;
- It has color system controller, so that can get the complete trade mark design;
- Suitable for the complex film and tin foil and other packing material. Fine packaging performance, low noise, clear sealing texture and strong sealing performance.

Technical Specification

Measure Scope	1-100g (3-100 ml)
Bag Size	L : 30-170mm W : 30-130mm
Packing Speed	30-60 bags/min
Dimension	900x1100x1590 mm
Weight	400Kg
Total Power	220V / 50Hz/ 1.4Kw

Packages Sample



Easy
Maintenance



High
Profit



Excellent
Performance

WLHF220F HORIZONTAL SCREW POWDER PACKING MACHINE

The machine is suitable for the food, medicine, chemical industry, cosmetics industry of particles of measurement packing.



Sealing Type

Packing Material

BOPP/Polyethylene, Aluminium/Polyethylene, Paper/Polyethylene, Polyester/Aluminizer/Polyethylene, Nylon/CPP and so on.

Packages Sample



Features

- Automatic granule packing machine can finish the process like conveying bag, bag making, filling, weighing, sealing, cutting, counting, lot number, etc.
- Bilingual display screen control system, stainless steel cabinet. Set up the required data(Include filling, weighing, bag size, etc) in the visible settings, the control system automatic optimization match with all the program so that achieve the best packing speed precisely;
- Stepper Motor control, this system has the advantage of precise, needless to adjust the other parts, and acoup sur;
- It has color system controller, so that can get the complete trade mark design;
- Suitable for the complex film and tin foil and other packing material. Fine packaging performance, low noise, clear sealing texture and strong sealing performance.



Easy Maintenance



High Profit



Excellent Performance

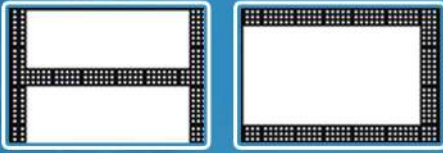
Technical Specification

Measure Scope	1-100g (3-100 ml)
Bag Size	L : 30-170mm W : 30-130mm
Packing Speed	30-60 bags/min
Dimension	900x1100x1900 mm
Weight	400Kg
Total Power	220V / 50Hz/ 1.4Kw

WLF220L GRANULE PACKING MACHINE

The machine is suitable for the food, medicine, chemical industry, cosmetics industry of particles of measurement packing.

Sealing Type:
Three sides sealing/Back sealing



Packing Material

BOPP/Polyethylene, Aluminium/Polyethylene, Paper/Polyethylene, Polyester/Aluminizer/Polyethylene, Nylon/CPP and so on.



Features

- Automatic granule packing machine can finish the process like conveying bag, bag making, filling, weighing, sealing, cutting, counting, lot number, etc.
- Bilingual display screen control system, stainless steel cabinet. Set up the required data (include filling, weighing, bag size, etc) in the visible settings, the control system automatic optimization match with all the program so that achieve the best packing speed precisely;
- Stepper Motor control, this system has the advantage of precise, needless to adjust the other parts, and accou sur;
- It has color system controller, so that can get the complete trade mark design;
- Suitable for the complex film and tin foil and other packing material. Fine packaging performance, low noise, clear sealing texture and strong sealing performance.

Packages Sample



Technical Specification

Measure Scope	1-100g (3-100 ml)
Bag Size	L : 30-170mm W : 30-130mm
Packing Speed	30-60 bags/min
Dimension	900x1100x1590 mm
Weight	400Kg
Total Power	220V / 50Hz/ 1.4Kw



Easy
Maintenance



High
Profit



Excellent
Performance

WLF220F POWDER PACKING MACHINE

The machine is suitable for the food, medicine, chemical industry, cosmetics industry of particles of measurement packing.



Sealing Type:
Three sides sealing/Four sides sealing /Back sealing

Packing Material
BOPP/Polyethylene, Aluminium/Polyethylene. Paper/Polyethylene, Polyester/Aluminizer/ Polyethylene, Nylon/CPP and so on.

Packages Sample



Features

- Automatic granule packing machine can finish the process like conveying bag, bag making, filling, weighing, sealing, cutting, counting, lot number, etc.
- Bilingual display screen control system, stainless steel cabinet. Set up the required data(Include filling, weighing, bag size, etc) in the visible settings, the control system automatic optimization match with all the program so that achieve the best packing speed precisely;
- Stepper Motor control, this system has the advantage of precise, needless to adjust the other parts, and accoup sur;
- It has color system controller, so that can get the complete trade mark design;
- Suitable for the complex film and tin foil and other packing material. Fine packaging performance, low noise, clear sealing texture and strong sealing performance.



Easy Maintenance



High Profit



Excellent Performance

Technical Specification

Measure Scope	1-100g (3-100 ml)
Bag Size	L : 30-170mm W : 30-130mm
Packing Speed	30-60 bags/min
Dimension	900x1100x1900 mm
Weight	400Kg
Total Power	220V / 50Hz/ 1.4Kw

AUTOMATIC CONTINUOUS BAND SEALER



Waxler Packaging Equipment
is suitable for your business needs,
with reliable machines, best performance,
easy maintenance and high profits.

WLRB-770I CONTINUOUS BAND SEALER

Waxler is a brand of high-quality packaging machines that can support the progress of your business.



Easy
to operate



High
Profit



Excellent
Performance

Technical Specification

Model	WLRB-770I
Voltage	AC 220V/50Hz-110V/60Hz
Motor Power	50/100W
Sealing Power	300x2W
Speed	0-12(0-16)(0-24) m/mm
Seal Width	10mm
Distance From Sealing Center To Conveyor	10-40mm
Distance From Base Plate To Interior Conveyor	60-120mm
Max. Distance From Sealing Center To Bag Opening	21mm
Temperature Range	0-300°C
Printing Type	Steel Embossing wheel for printing (Optional)
Conveyor Size	840x153 mm
Max. Conveyor Load For Single Bag	≤1
Overall Conveyor Load	≤3
External Dimensions	844x375x310mm
Net Weight	23Kg

Waxler is a brand of high-quality packaging machines that can support the progress of your business.



Easy to operate



High Profit



Excellent Performance

Technical Specification

Model	WLRB-770II
Voltage	AC 220V/50Hz-110V/60Hz
Motor Power	50/100W
Sealing Power	300x2W
Speed	0-12(0-16)(0-24) m/mm
Seal Width	10mm
Distance From Sealing Center To Conveyor	150-270mm
Distance Drom Base Plate To Interior Conveyor	-
Max. Distance From Sealing Center To Bag Opening	21mm
Temperature Range	0-300°C
Printing Type	Steel Embossing wheel for printing (Optional)
Conveyor Size	840x153 mm
Max. Conveyor Load For Single Bag	≤1
Overall Conveyor Load	≤3
External Dimensions	844x390x450mm
Net Weight	28Kg

WLRB-770III CONTINUOUS BAND SEALER

Waxler is a brand of high-quality packaging machines that can support the progress of your business.



Easy to operate



High Profit



Excellent Performance



Technical Specification

Model	WLRB-770III
Voltage	AC 220V/50Hz-110V/60Hz
Motor Power	50/100W
Sealing Power	300x2W
Speed	0-12(0-16)(0-24) m/mm
Seal Width	10mm
Distance From Sealing Center To Conveyor	10-40mm
Distance From Base Plate To Interior Conveyor	60-120mm
Max. Distance From Sealing Center To Bag Opening	21mm
Temperature Range	0-300°C
Printing Type	Steel Embossing wheel for printing (Optional)
Conveyor Size	840x153 mm
Max. Conveyor Load For Single Bag	≤1
Overall Conveyor Load	≤3
External Dimensions	844x555x800 mm
Net Weight	29Kg

WLRBM-810I SOLID INK CODING CONTINUOUS BAND SEALER

Waxler is a brand of high-quality packaging machines that can support the progress of your business.



Easy to operate



High Profit



Excellent Performance

Technical Specification

Model	WLRBM-810I
Voltage	AC 220V/50Hz-110V/60Hz
Motor Power	50/100W
Sealing Power	300x2W
Speed	0-12(0-16)(0-24) m/mm
Seal Width	10mm
Distance From Sealing Center To Conveyor	10-40mm
Distance From Base Plate To Interior Conveyor	65-85mm
Max. Distance From Sealing Center To Bag Opening	21mm
Temperature Range	0-300°C
Printing Type	Solid Ink Roller
Conveyor Size	954x153mm
Max. Conveyor Load For Single Bag	≤1
Overall Conveyor Load	≤3
External Dimensions	954x400x340mm
Net Weight	29Kg

WLRBM-810II SOLID INK CODING CONTINUOUS BAND SEALER

Waxler is a brand of high-quality packaging machines that can support the progress of your business.



Excellent Performance



Easy to operate



High Profit

Technical Specification

Model	WLRBM-810II
Voltage	AC 220V/50Hz-110V/60Hz
Motor Power	50/100W
Sealing Power	300x2W
Speed	0-12(0-16)(0-24) m/mm
Seal Width	10mm
Distance From Sealing Center To Conveyor	200-320mm
Distance From Base Plate To Interior Conveyor	-
Max. Distance From Sealing Center To Bag Opening	21mm
Temperature Range	0-300°C
Printing Type	Solid Ink Roller
Conveyor Size	954x153mm
Max. Conveyor Load For Single Bag	≤1
Overall Conveyor Load	≤3
External Dimensions	954x400x540mm
Net Weight	35Kg

WLRBM-810III SOLID INK CODING CONTINUOUS BAND SEALER

Waxler is a brand of high-quality packaging machines that can support the progress of your business.



Easy to operate



High Profit



Excellent Performance



Technical Specification

Model	WLRBM-810III
Voltage	AC 220V/50Hz-110V/60Hz
Motor Power	50/100W
Sealing Power	300x2W
Speed	0-12(0-16)(0-24) m/mm
Seal Width	10mm
Distance From Sealing Center To Conveyor	10-40mm
Distance From Base Plate To Interior Conveyor	65-85mm
Max. Distance From Sealing Center To Bag Opening	21mm
Temperature Range	0-300°C
Printing Type	Solid Ink Roller
Conveyor Size	954x153mm
Max. Conveyor Load For Single Bag	≤1
Overall Conveyor Load	≤3
External Dimensions	954x555x900mm
Net Weight	35Kg

AUTOMATIC HORIZONTAL PACKAGING MACHINE



Waxler Packaging Equipment
is suitable for your business needs,
with reliable machines, best performance,
easy maintenance and high profits.

WLXDZ-250B AUTOMATIC HORIZONTAL PACKAGING MACHINE

Waxler is a brand of high-quality packaging machines that can support the progress of your business.



Easy to operate



High Profit



Excellent Performance



CAPACITY

40-230
Bags/min



Technical Specification

Model	WLXDZ-250B
Voltage	AC 220V/50Hz-110V/60Hz
Power	2400W
Film Width	Max. 250mm
Length of Bag	65~190 or 120~280mm
Width Of Bag	30~110mm
Height Of Product	Max. 40mm
Film Roll Diameter	Max. 320mm
Capacity	40~230 Bags/min
External Dimension	3770x640x1450mm
Net Weight	800Kg

WLXDZ-350B AUTOMATIC HORIZONTAL PACKAGING MACHINE

Waxler is a brand of high-quality packaging machines that can support the progress of your business.



Easy to operate



High Profit



Excellent Performance



CAPACITY

40-230
Bags/min

Technical Specification

Model	WLXDZ-350B
Voltage	AC 220V/50Hz-110V/60Hz
Power	2600W
Film Width	Max. 350mm
Length of Bag	65~190 or 120~280mm
Width Of Bag	50~160mm
Height Of Product	Max. 45mm
Film Roll Diameter	Max. 320mm
Capacity	40~230 Bags/min
External Dimension	4020x745x1450mm
Net Weight	900Kg

WLXDZ-450B AUTOMATIC HORIZONTAL PACKAGING MACHINE

Waxler is a brand of high-quality packaging machines that can support the progress of your business.



Easy to operate



High Profit



Excellent Performance



CAPACITY

30-180
Bags/min



Technical Specification

Model	WLXDZ-450B
Voltage	AC 220V/50Hz-110V/60Hz
Power	2600W
Film Width	Max. 450mm
Length of Bag	130~450mm
Width Of Bag	50~180mm
Height Of Product	Max. 70mm
Film Roll Diameter	Max. 320mm
Capacity	30~180 Bags/min
External Dimension	4020x820x1450mm
Net Weight	900Kg

CARTON SEALER

PACKAGING MACHINE



Waxler Packaging Equipment
is suitable for your business needs,
with reliable machines, best performance,
easy maintenance and high profits.

WLXJ-5050Q CARTON SEALER PACKAGING MACHINE

Waxler is a brand of high-quality packaging machines that can support the progress of your business.



Easy to operate



High Profit



Excellent Performance



Technical Specification

Model	WLXJ-5050Q
Voltage	AC 220V/50Hz-110V/60Hz
Power	200W
Air Compressor	0.4~0.6 Mpa
Max. Carton Size	∞x500x500mm
Min. Carton Size	150x200x120mm
Sealing Speed	8~25 (as reference) Carton/min
Conveyor Speed	20 m/mm
Used Adhesive Tape	BOPP,Water-Free Adhesive Tape, PVC Adhesive Tape
Height Of Table	580~780mm
Width Of Adhesive Tape	48,60, 70 Optional
External Dimensions	1160 (With Bracket 1970)x780x(1280~1460)mm
Net Weight	160 Kg

WLXJ-5050Z CARTON SEALER PACKAGING MACHINE

Waxler is a brand of high-quality packaging machines that can support the progress of your business.



Easy to operate



High Profit



Excellent Performance



Technical Specification

Model	WLXJ-5050Z
Voltage	AC 220V/50Hz-110V/60Hz
Power	260W
Air Compressor	0.4~0.6 Mpa
Max. Carton Size	600x500x500mm
Min. Carton Size	180x160x180mm
Sealing Speed	8~25 (as reference) Carton/min
Conveyor Speed	22 m/mm
Used Adhesive Tape	BOPP,Water-Free Adhesive Tape, PVC Adhesive Tape
Height Of Table	600~750mm
Width Of Adhesive Tape	48,60, 70 Optional
External Dimensions	1830 (With Bracket 2640)x920x(1480~1640)mm
Net Weight	220 Kg

WLXJ-5050ZX CARTON SEALER PACKAGING MACHINE

Waxler is a brand of high-quality packaging machines that can support the progress of your business.



Easy to operate



High Profit



Excellent Performance



Technical Specification

Model	WLXJ-5050ZX
Voltage	AC 220V/50Hz-110V/60Hz
Power	260W
Air Compressor	0.4~0.6 Mpa
Max. Carton Size	600x500x500mm
Min. Carton Size	180x160x180mm
Sealing Speed	18~25 (as reference) Carton/min
Conveyor Speed	22 m/mm
Used Adhesive Tape	BOPP,Water-Free Adhesive Tape, PVC Adhesive Tape
Height Of Table	600~750mm
Width Of Adhesive Tape	48,60, 76 Optional
External Dimensions	1830 (With Bracket 2640)x920x(1480~1460)mm
Net Weight	250 Kg

WLXJ-6050 CARTON SEALER PACKAGING MACHINE

Waxler is a brand of high-quality packaging machines that can support the progress of your business.



Easy to operate



High Profit



Excellent Performance



Technical Specification

Model	WLXJ-6050
Voltage	AC 220V/50Hz-110V/60Hz
Power	200W
Max. Carton Size	∞x500x600mm
Min. Carton Size	150x180x130mm
Sealing Speed	25~45 (as reference) Carton/min
Used Adhesive Tape	BOPP,Water-Free Adhesive Tape, PVC Adhesive Tape
Height Of Table	635~780mm
Width Of Adhesive Tape	48,60, 70 Optional
External Dimensions	905 (With Bracket 1755)x800x(960~1650)mm
Net Weight	150 Kg

WLY380F/W CODING MACHINE & FOLDING MACHINE

Waxler is a brand of high-quality packaging machines that can support the progress of your business.



Easy
to operate



High
Profit

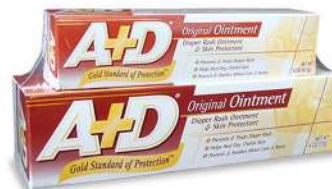


Excellent
Performance

Technical Specification

Model	WLY380F/W
Voltage	AC 220V/50Hz-110V/60Hz
Power	180W
Solid Ink Roller Dimensions	Ø35x32mm
Printing Speed	≤300 pcs/min
Max. Printing Line Object Size	L : 45-500 W : 30-190 mm
	Type (10.5pt) : 11 Lines (Max.10 Characters/Line) R (10.5PT) : 8 Lines (Max.8 Character/Lines)
Printing Size	Within 60-250mm
Type Size	2.5x1.5(8PT) 2.5(9PT) 3x2(10.5PT) 5x2.5(18PT)mm
Dimensions	440x345x260mm
Net Weight	23/26

SHRINK PACKAGING MACHINE



Waxler Packaging Equipment
is suitable for your business needs,
with reliable machines, best performance,
easy maintenance and high profits.

SHRINK PACKAGING MACHINE

Waxler is a brand of high-quality packaging machines that can support the progress of your business.

WLP-300/WLP-450



Technical Specification

Model	WLP-300	WLP-450
Voltage	AC 220V/50Hz-110V/60Hz	AC 220V/50Hz-110V/60Hz
Instantaneous Power	1KW	1KW
Max. Sealing Area	300x350mm	450x350mm
Variable Heating Time	0-2sec.	0-2sec.
External Dimensions	470x350x140mm	620x450x140mm
Net Weight	10Kg	11.5Kg

WLS-4525A



Technical Specification

Model	WLS-4525A
Voltage	220V/50Hz-380V/50Hz(PH), 220V/60Hz(3PH)
Power	7.5 Kw
Load	10Kg
Speed	0-10 m/min
Tunnel Size	900x450x(50~250)mm
External Dimensions	1200x650x1100mm
Net Weight	90Kg

Packages Sample



SHRINK PACKAGING MACHINE

Waxler is a brand of high-quality packaging machines that can support the progress of your business.



Easy to operate



High Profit



Excellent Performance

WLS-4535LA



Technical Specification

Model	WLS-4535LA
Voltage	380V/50Hz(3PH), 220/60Hz(3PH)
Power	9600W
Load	10Kg
Speed	0-10m/min
Tunnel Size	1200x450x(50-250)
External Dimensions	1600x650x1200
Net Weight	120kg



WLSF-501



Technical Specification

Model	WLSF-501
Voltage	AC 220V/50V-110V/60Hz
Instantaneous Power	1Kw
Max. Sealing Area	500x350mm
Variable Heating Time	0-2sec.
External Dimensions	950x550x370mm
Net Weight	23Kg

Packages Sample



SHRINK PACKAGING MACHINE

Waxler is a brand of high-quality packaging machines that can support the progress of your business.

WLSF-6540XLT



Easy to operate



High Profit



Excellent Performance



Technical Specification

Model	WLSF-6540XLT
Voltage	AC 380V/50Hz(3PH)-220V/60Hz
Power	18.5Kw
Tunnel Size	1500x600x400mm
Max. Packing Size	520x320x350mm
Packaging Speed	8-10 Pcs/min
Compressed Air	60 Kg/cm ³
Max. Sealing Length	650mm
Maximum Film Width	600mm
Film Used	PE
External Dimensions	3500x860x2000mm
Net Weight	520Kg

STRAPPING PACKAGING MACHINE



Waxler Packaging Equipment
is suitable for your business needs,
with reliable machines, best performance,
easy maintenance and high profits.

Waxler is a brand of high-quality packaging machines that can support the progress of your business.



Easy to operate



High Profit



Excellent Performance



Technical Specification

Model	WLZB-1
Voltage	AC 220V/50Hz-110V/60Hz
Power	320W
Max. Strapping Size	Not Stipulated
Strapping Speed	2.5sec./cycle
Strapping Force	10-450 (Adjustable)
Height Of Table	750mm
Width Of Strap Used	6-15 (Adjustable)
External Dimensions	900x580x750mm
Net Weight	100 Kg

WLZB-2 STRAPPING MACHINE

Waxler is a brand of high-quality packaging machines that can support the progress of your business.



Easy to operate



High Profit



Excellent Performance



Technical Specification

Model	WLZB-2
Voltage	AC 220V/50Hz-110V/60Hz
Power	320W
Max. Strapping Size	Not Stipulated
Strapping Speed	2.5sec./cycle
Strapping Force	10-450 (Adjustable)
Height Of Table	500mm
Width Of Strap Used	6-15 (Adjustable)
External Dimensions	1450x580x505mm
Net Weight	90 Kg

Waxler is a brand of high-quality packaging machines that can support the progress of your business.



Easy
to operate



High
Profit



Excellent
Performance



Technical Specification

Model	WLZB-A
Voltage	AC 220V/50Hz-110V/60Hz
Power	320W
Max. Strapping Size	Not Stipulated
Strapping Speed	2.5sec./cycle
Strapping Force	10-450 (Adjustable)
Height Of Table	750mm
Width Of Strap Used	6-15 (Adjustable)
External Dimensions	900x580x750mm
Net Weight	95 Kg

WLZBT STRAPPING MACHINE

Waxler is a brand of high-quality packaging machines that can support the progress of your business.



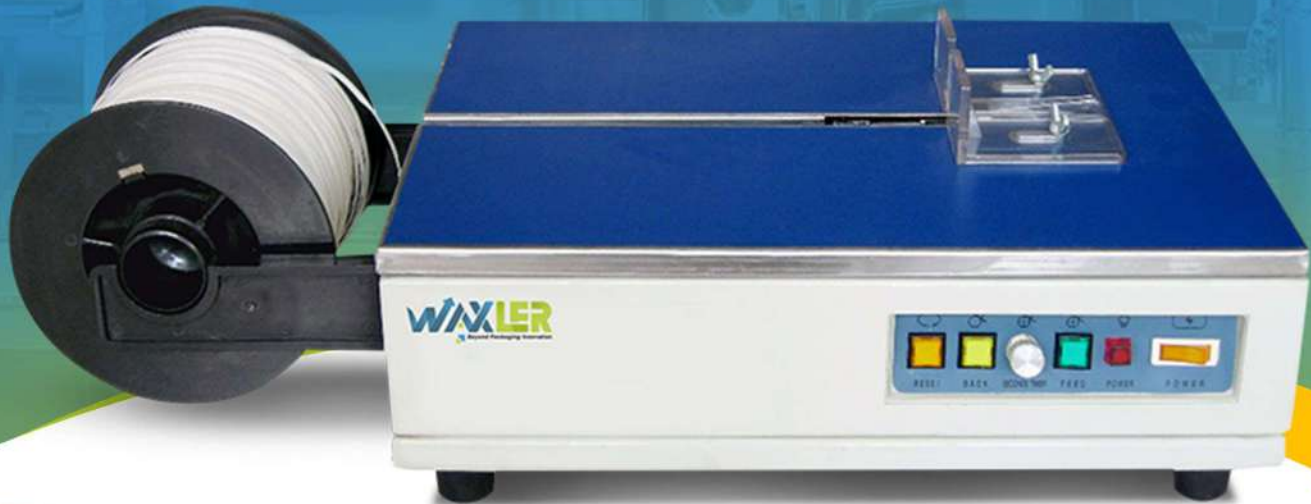
Easy to operate



High Profit



Excellent Performance



Technical Specification

Model	WLZBT
Voltage	AC 220V/50Hz-110V/60Hz
Power	90W
Max. Strapping Size	Not Stipulated
Strapping Speed	1.8 sec./cycle
Strapping Force	10-100 (Adjustable)
Height Of Table	250mm
Width Of Strap Used	6-15 (Adjustable)
External Dimensions	665x335x200mm
Net Weight	18 Kg

VACUUM PACKAGING MACHINE



Waxler Packaging Equipment
is suitable for your business needs,
with reliable machines, best performance,
easy maintenance and high profits.

WLVB-1020F-1 AUTOMATIC CONTINUOUS VACUUM PACKAGING MACHINE

Waxler is a brand of high-quality packaging machines that can support the progress of your business.



Technical Specification

Model	WLVB-1020F-1
Voltage	AC 380V/50Hz-220V/50Hz
Power	550+370W
Sealing Power	1000W
Ultimate Vacuum Pressure	1KPa
Number Of Seal Bars for Each Chamber	1
Cooling Type	Water Cooling
Sealing Length	1020mm
Sealing Width	10mm
Length	≤450
Capacity	3-5 time/min
Gas Filling Function	-
Pump Capacity	200 m3/h
Chamber Dimensions	1100x500x100mm
External Dimensions	1770x1580x1160mm
Net Weight	(Approx)580 Kg

WLVC-260T/1A SINGLE CHAMBER VACUUM PACKAGING MACHINE

Waxler is a brand of high-quality packaging machines that can support the progress of your business.



Easy to operate



High Profit



Excellent Performance



Technical Specification

Model	WLVC-260T/1A
Voltage	AC 220V/50Hz-110/60Hz
Motor Power	250W
Sealing Power	150W
Ultimate Vacuum Pressure	1KPa
Sealing Width	5 or 2x3
Pump Capacity	8 m3/h
Chamber Dimensions	282x385x100mm
Material For Vacuum Chamber	SUS304
External Dimensions	335x488x360mm
Net Weight	(Approx)34.5 Kg

WLVC-410F/2A SINGLE CHAMBER VACUUM PACKAGING MACHINE

Waxler is a brand of high-quality packaging machines that can support the progress of your business.



Easy to operate



High Profit



Excellent Performance



Technical Specification

Model	WLVC-410F/2A
Voltage	AC 380V/50Hz, 220V/50Hz, 110/60Hz
Motor Power	750W
Sealing Power	500W
Ultimate Vacuum Pressure	1KPa
Sealing Width	10 or 2x3
Pump Capacity	20 m ³ /h
Chamber Dimensions	450x450x140 mm
Material For Vacuum Chamber	SUS304
External Dimensions	500x550x1000mm
Net Weight	(Approx) 89 Kg

WLVC-510F/2A SINGLE CHAMBER VACUUM PACKAGING MACHINE

Waxler is a brand of high-quality packaging machines that can support the progress of your business.



Easy
to operate



High
Profit



Excellent
Performance



Technical Specification

Model	WLVC-510F/2A
Voltage	AC 380V/50Hz, 220V/50Hz, 110/60Hz
Motor Power	750W
Sealing Power	600W
Ultimate Vacuum Pressure	1KPa
Sealing Width	10 or 2x3
Pump Capacity	20 m3/h
Chamber Dimensions	550x550x140 mm
Material For Vacuum Chamber	SUS304
External Dimensions	600x650x1000 mm
Net Weight	(Approx) 110 Kg

WLVC-410S/2B DOUBLE CHAMBER VACUUM PACKAGING MACHINE

Waxler is a brand of high-quality packaging machines that can support the progress of your business.



Easy to operate



High Profit



Excellent Performance



Technical Specification

Model	WLVC-410S/2B
Voltage	AC 380V/50Hz, 220V/50Hz, 110/60Hz
Motor Power	750W
Sealing Power	500W
Ultimate Vacuum Pressure	1KPa
Sealing Width	10 or 2x3
Pump Capacity	20 m ³ /h
Chamber Dimensions	510x500x150 mm
Material For Vacuum Chamber	SUS304
External Dimensions	1070x685x930 mm
Net Weight	(Approx)170 Kg

WLVC-510S/2B

DOUBLE CHAMBER VACUUM PACKAGING MACHINE

Waxler is a brand of high-quality packaging machines that can support the progress of your business.



Easy to operate



High Profit



Excellent Performance



Technical Specification

Model	WLVC-510S/2B
Voltage	AC 380V/50Hz, 220V/50Hz
Motor Power	1500W
Sealing Power	600W
Ultimate Vacuum Pressure	1KPa
Sealing Width	10 or 2x3
Pump Capacity	20 m3/h
Chamber Dimensions	610x550x150 mm
Material For Vacuum Chamber	SUS304
External Dimensions	1270x735x930 mm
Net Weight	(Approx) 230 Kg

WLVR-320A AUTOMATIC THERMOFORMING VACUUM PACKAGING MACHINE

Waxler is a brand of high-quality packaging machines that can support the progress of your business.



Easy to operate



High Profit



Excellent Performance



Technical Specification

Model	WLVR-320A
Voltage	AC 380V/50Hz
Sealing Power	2000W
Gas Power	0.5-0.6 Mpa
Cooling Type	Water Cooling
Upper Film Width	292 mm
Lower Film Width	322 mm
Material Type	Solid
Max. Stretch Depth	≤ 80 mm
Capacity	4-6 time/min
Chamber Dimensions	300x(200~400) mm
External Dimensions	4500x950x2000 mm
Net Weight	(Approx) 1500 Kg

WLVR-320S

DOUBLE ALUMINIUM FILM THERMOFORMING VACUUM PACKAGING MACHINE

Waxler is a brand of high-quality packaging machines that can support the progress of your business.



Easy
Maintenance



High
Profit



Excellent
Performance

Technical Specification

Model	WLVR-320S
Voltage	AC 380V/50Hz
Sealing Power	2000W
Gas Power	0.5-0.6 Mpa
Cooling Type	Water Cooling
Upper Film Width	292mm
Lower Film Width	322mm
Packing Material	Aluminium Foil
Material Type Solid	Solid
The max. Forming Depth Of Upper Film	≤5 mm
The max. Forming Depth Of Bottom Film	≤10 mm
Capacity	4-6 time/min
Chamber Dimensions	200x(100~400)
External Dimensions	5000x950x2000 mm
Net Weight	(Approx) 1500 Kg

WLVT-350M TRAY VACUUM GAS FLUSHING PACKAGING MACHINE

Waxler is a brand of high-quality packaging machines that can support the progress of your business.



Easy to operate



High Profit



Excellent Performance



Technical Specification

Model	WLVT-350M
Voltage	(3PH) AC 380V/50Hz, 220V/60Hz
Sealing Power	2000W
Gas Power	0.5-0.6 Mpa
Cooling Type	Water Cooling
Capacity	Only sealing 10-12 time/min, Vacuum, Gas Flushing+Sealing 3-5 Cycles/min
Gas Flushing	N2 or N2+Co2
Chamber Dimensions	350x(100-400) mm
External Dimensions	1360x740x1530 mm
Net Weight	(Approx) 600 Kg
Pump Capacity	63 m3/h

WT-6050 HOT WATER SHRINK PACKAGING MACHINE

Waxler is a brand of high-quality packaging machines that can support the progress of your business.



Easy to operate



High Profit



Excellent Performance



Technical Specification

Model	WT-6050
Voltage	AC 380V/50Hz, 220V/50Hz
Heating Power	2x6 Kw
Motor Power	200 W
Water Tank Capacity	149 L
Work Table Height	850 mm
Work Table Travel	330 mm
Maximum Lifting Weight	50 Kg
Water Temperature Range	0~100 Kg
Water Tank Dimension	500x600x498 mm
Overall Dimension	670x700x950 (1270) mm
Net Weight	(Approx) 120

MATERIAL EQUIPMENT SERIES



Waxler Packaging Equipment
is suitable for your business needs,
with reliable machines, best performance,
easy maintenance and high profits.

INSPECTION EQUIPMENT SERIES

BRIDGE TYPE METAL DETECTOR



Easy to operate



High Profit



Excellent Performance



Technical Specification

Detecting Width	50 mm
Detecting Height	400 mm
Accuracy	FE > 0.5
Conveying Speed	16-60m/min
Power	220V, 50-60Hz, 200W
Reject Way	Blow Type, Free-fall type, Reject arm type, Push rod type

Usage

It is used to detect nonmetallic packaged food or other products. The detection accuracy can be determined according to the model of metal detector and the property of items.



Easy
to operate



High
Profit



Excellent
Performance



Technical Specification

Detecting Weight	5-3000g
Screen Speed	20-80 time
Resolving Power	±0.2-±1.5g
Rejecting Way	Blow type, free-fall type, Reject arm type, Push rod type

Usage

Check weigher is a dynamic weighing and screening with online, high-speed, high-precision system. The system carries out product quality data and communicate with the factory management center.

CHECK WEIGHER & METAL DETECTOR COMBINATION

Waxler is a brand of high-quality packaging machines that can support the progress of your business.



Easy to operate



High Profit



Excellent Performance



Technical Specification

Weighing Range	30-1200g	5-1200g	10-6000g
Max Detecting Accuracy	0.1g	0.3g	0.5g
Matal Accuracy	FE \geq 0.6	NFE \geq 0.8	SUS \geq 1.0
Length Of Machine	1100mm	1150mm	1250mm
Max Speed	250pcs/min	200pcs/min	120pcs/min
Rejecting Way	Blow type	Reject arm type	Push rod type

Usage

Metal detector and check weigher parameters are configured in the same product parameterization, and operated in the same interface to reduce the error rate of operation, with a unified intelligent learning algorithm and parameter settings, to achieve the real integration of metal detector and check weigher.

Waxler is a brand of high-quality packaging machines that can support the progress of your business.

PRODUCT CONVEYOR



Usage

Use belt conveyance, can use alone, also can complete the product conveyance with packing machine form a complete set. It can be designed according to the data provided by customers or the site survey, and provide advanced, reasonable and economical overall solutions. Optional material type, stainless steel, carbon steel, PVC belt, PVC chain plate, etc.

ROTARY TABLE



Easy to operate



High Profit



Excellent Performance

Usage

The belt conveyor has large throughput and good fluidity. Adopt development frame structure, clean and unsuitable ash Using frequency converter to control start, adjust transmission speed according to site material.

ELEVATING EQUIPMENT SERIES

THERMAL TRANSFER PRINTER



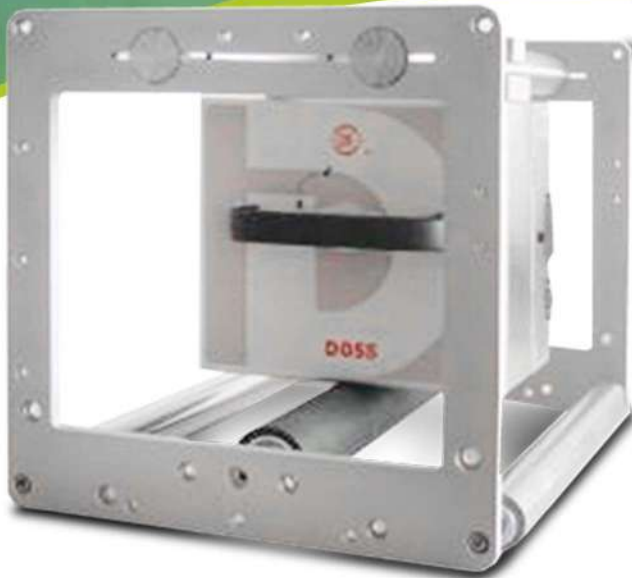
Easy to operate



High Profit



Excellent Performance



Usage

Suitable for printing high resolution images and bar codes up to 300dpi resolution. Clean and environmentally friendly without any productive substances. Stable and reliable, the ribbon drive system basically does not require any protection. Save costs and eliminate consumable inventory such as label paper.

MEASURING EQUIPMENT SERIES

MULTI HEAD WEIGHER

Technical Specification

Model	10 heads weigher, 14 heads weigher, 20 heads weigher
Speed	40-140/min
Weighing Range	10-5000g

Usage

It is suitable for weighing of granule, slice, roll or irregular shape materials such as candy, seed, jelly, fries, coffee granule, peanut, puffy food, biscuit, chocolate, nut, yogurt pet food, frozen foods, etc. It is also suitable for weighing small hardware and plastic component.



AUGER FILLER



Easy to operate



High Profit



Excellent Performance



Technical Specification

Model	50L, 80L
Speed	5-40/min
Weighing Range	10-5000g

Usage

Apply for automatic measurement of powder, such as milk powder, flour, coffee powder, protein powder, putty powder, etc.

MEASURING EQUIPMENT SERIES

VOLUMETRIC CUP FILLER

Technical Specification

Speed	20-60/min
Weighing Range	10-3000g

Usage

Apply for small particle materials and fluidity powder, such as granulated sugar, seasoning, seeds and other materials.



ELEVATING EQUIPMENT SERIES

Z-SHAPE BUCKET ELEVATOR



Easy
Maintenance



High
Profit



Excellent
Performance



Technical Specification

Capacity	4000L/Hour, 7200L/Hour
Lifting Height	2-6g

Usage

Apply vertical lifting, 90 degree transportation, save floor area and reduce power loss. Adopting bucket type loading material, no scattering, matching with packing machine and multi-head weighing can realize automatic feeding of material level tracking.

ELEVATING EQUIPMENT SERIES

INCLINED BELT CONVEYOR

Technical Specification

Capacity	4000L/Hour, 7200L/Hour
Lifting Height	2-6g

Usage

The belt conveyor has large throughput and good fluidity. Adopt development frame structure, clean and unsuitable ash Using frequency converter to control start, adjust transmission speed according to site material.





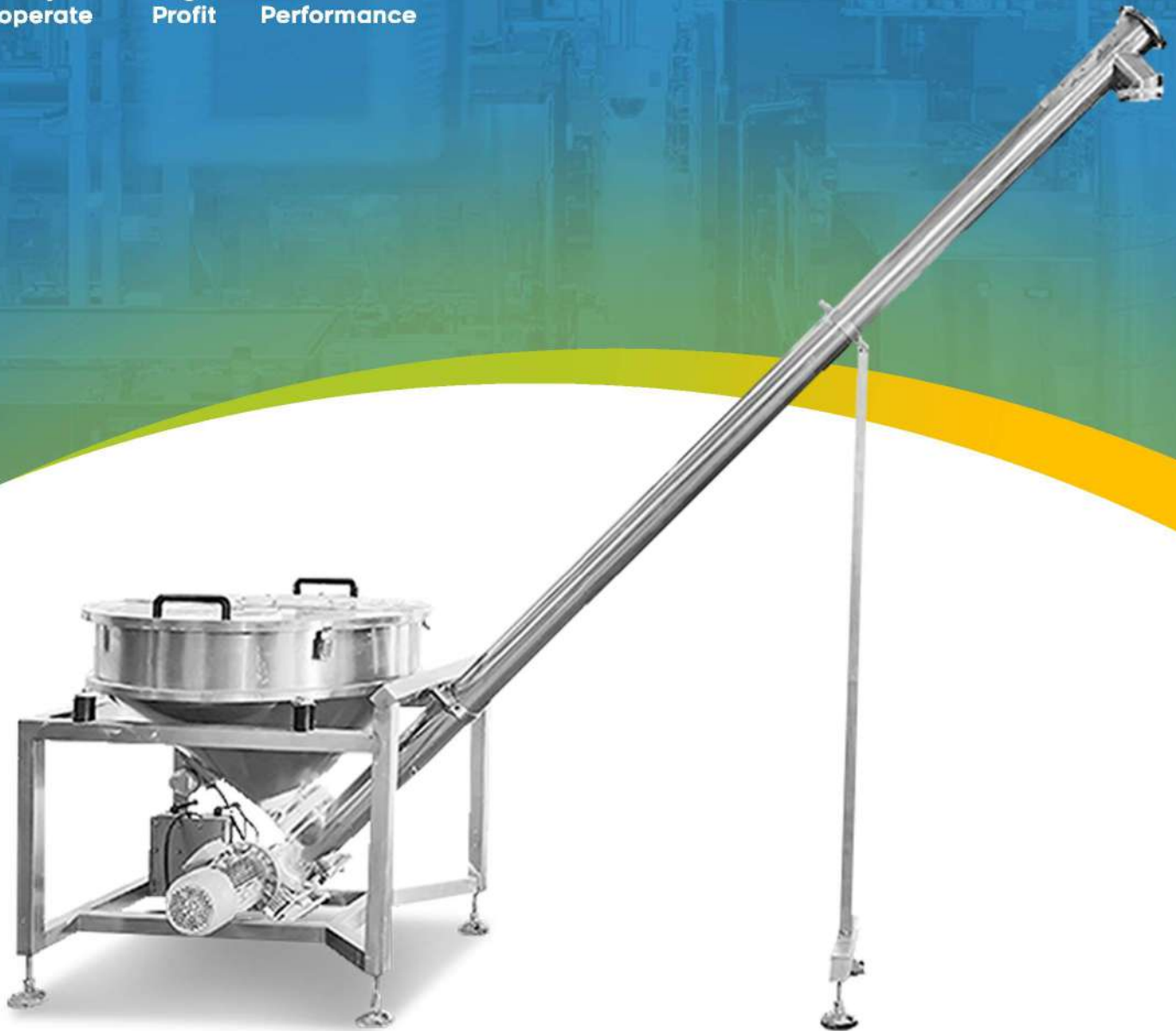
Easy
to operate



High
Profit



Excellent
Performance



Technical Specification

Capacity	1-3 (ton / hour)
Lifting Height	2-10m

Usage

Apply for milk powder, rice noodle, milk tea powder, starch, protein powder, seasoning and flour.

INDOTARA®

PT. INDOTARA PERSADA

Our Marketing Office and After Sales Service Center

Head Office

50/F, Menara BCA Grand Indonesia
Jl. M.H. Thamrin No.1
Jakarta Pusat 10310

021 - 5011 2220

dpe@indotara.id



Semarang Office

Wisma HSBC Lt. 6 Suite 609
Jl. Gajah Mada No.135
Semarang, Jawa Tengah 50134

021 - 5011 2220

smg.dpe@indotara.id



Marketing Office

Graha Kencana Building, Lt.10 Suite 10F
Jl. Raya Perjuangan No. 88,
Kebon Jeruk - Jakarta Barat 11530

021 - 5011 2220

dpe@indotara.id



Medan Office

Sutomo Tower Lantai 5H
Jl. Sutomo Ujung No.28,
Kota Medan, Sumatera Utara 20235

021 - 5011 2220

mdn.dpe@indotara.id



Graha Indotara

Millenium Industrial Estate
Jl. Millenium 22 Blok R3 No. 1
Cikupa, Tangerang - Banten 15720

021 - 5011 2220

dpe@indotara.id



Makassar Office

Fajar Graha Pena Lt. 5
Jl. Urip Sumoharjo No. 20,
Makassar - South Sulawesi 90234

021 - 5011 2220

mks.dpe@indotara.id



Bandung Office

Wisma HSBC Lt. 6 Suite B
Jl. Asia Afrika No. 116
Bandung, Jawa Barat 40112

021 - 5011 2220

bdg.dpe@indotara.id



Balikpapan Office

Panin Tower Lt. 8 - Grand Sudirman
Jl. Jendral Sudirman No.7 Klandasan Ilir,
Balikpapan Kota, Kalimantan Timur 76114

021 - 5011 2220

bpp.@indotara.id



Surabaya Office

Bumi Mandiri Tower I Lt. 10 Suite 1008
Jl. Jend. Basuki Rachmat 129-137
Surabaya 60271

021 - 5011 2220

sby.dpe@indotara.id



Bali Office

Benoa Square Lt. 2
Jl. Bypass Ngurah Rai No. 21 A Kedonganan,
Kuta Badung - Bali Indonesia 80361

021 - 5011 2220

bali.dpe@indotara.id



Yogyakarta Office

Hartono Mall Yogyakarta Lt. 3
Kaliwaru, Condongcatur,
Sleman, Yogyakarta 55281

021 - 5011 2220

yog.dpe@indotara.id



Singapore Office

MBFC Tower 3
17F, 12 Marina Boulevard
Singapore - 018982

021 - 5011 2220

sing.dpe@indotara.id

